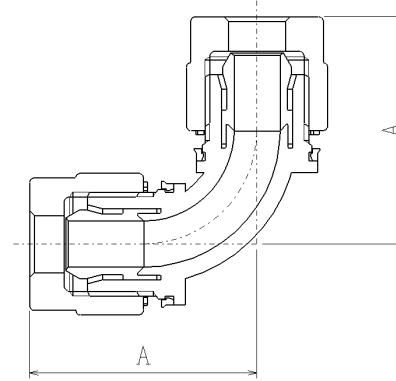


# Dimensions (Sweep Elbow vs Union Elbow)

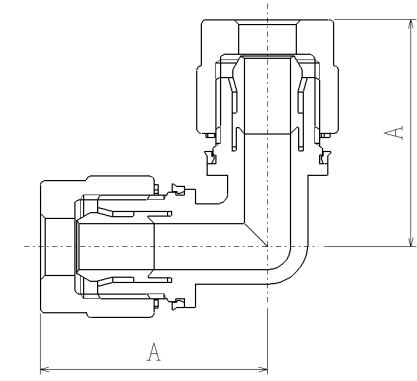
$\phi 6 \cdot W2(1/4'')$  ~  $\phi 12 \cdot W4(1/2'')$

The design of the sweep elbow allows direct replacements from standard union elbows because the mounting dimensions are same.

Sweep Elbow



Union Elbow



| Model       |               | Size                  | Sweep Elbow     | Union Elbow     |
|-------------|---------------|-----------------------|-----------------|-----------------|
| mm diameter | Inch diameter |                       | A Dimension(mm) | A Dimension(mm) |
| P-SWE-6B    | P-SWE-W2B     | $\phi 6 \cdot W2(Y)$  | 30              | 30              |
| P-SWE-8B    | -             | $\phi 8$              | 34.5            | 34.5            |
| P-SWE-10B   | P-SWE-W3B     | $\phi 10 \cdot W3(Y)$ | 39.5            | 39.5            |
| P-SWE-12B   | P-SWE-W4B     | $\phi 12 \cdot W4$    | 45.5            | 45.5            |
| P-SWE-19B   | P-SWE-W6B     | $\phi 19(W6)$         | 75.9            | 57.1            |
| P-SWE-25B   | P-SWE-W8B     | $\phi 25 \cdot W8$    | 97.3            | 69.5            |
| -           | P-SWE-W10B    | W10                   | 121.4           | 99              |
| -           | P-SWE-W12B    | W12                   | 133.3           | 106             |

Same  
Dimension