

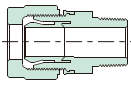
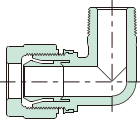
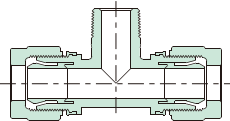
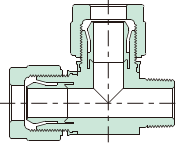
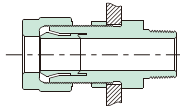
SUPER 300 TYPE PILLAR FITTING™

P-series size tables

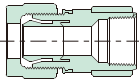
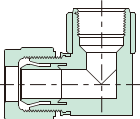
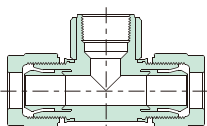
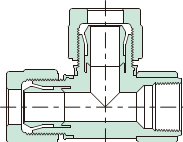


SUPER 300 TYPE PILLAR FITTING™

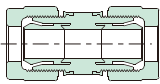
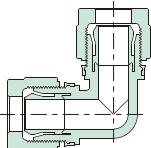
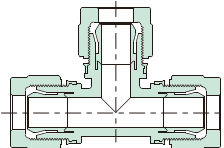
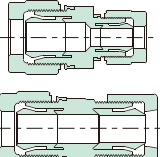
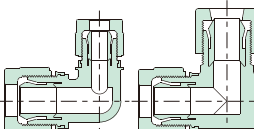
A) For tube to female thread connection

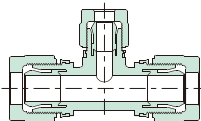
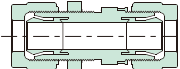
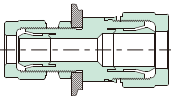
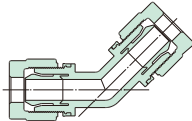
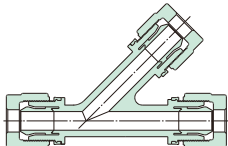
		Male connector	Male elbow	Male branch tee	Male run tee	Panel mount male connector
Configuration						
Part No.		P-MC	P-ME	P-MBT	P-MRT	P-PMMC
Reference page	$\phi 3$ to $\phi 25$ 1/8" to 1"	5 and 6	7 and 8	9	10	11
	1-1/4" 1-1/2"	38	38	—	—	—

B) For tube to male thread connection

		Female connector	Female elbow	Female branch tee	Female run tee
Configuration					
Part No.		P-FC	P-FE	P-FBT	P-FRT
Reference page	$\phi 3$ to $\phi 25$ 1/8" to 1"	12	13	14	15
	1-1/4" 1-1/2"	39	39	—	—

C) For tube to tube connection

		Union	Union elbow	Union tee	Reducing union	Reducing union elbow
Configuration						
Part No.		P-U	P-UE	P-UT	P-RU	P-RUE
Reference page	$\phi 3$ to $\phi 25$ 1/8" to 1"	16	16	16	17	18
	1-1/4" 1-1/2"	40	40	40	41	41

		Reducing union tee	Panel mount union	Panel mount reducing union	45° union elbow	45° Y-shaped union
Configuration						
Part No.		P-RUT	P-PMU	P-PMRU	P-45UE	P-45UY
Reference page	$\phi 3$ to $\phi 25$ 1/8" to 1"	19, 20, 21, and 22	23	23	24	24
	1-1/4" 1-1/2"	41	—	—	—	—

● We also manufacture products other than those shown in the size tables. Please contact us separately for more information.

D) Space-saving type

	Union elbow adapter	Union tee adapter	Reducing union elbow adapter
Configuration			
Part No.	P-UEA	P-UTA	P-RUEA
Reference page	25	26 and 27	28
	—	—	—

	Reducing union tee adapter	Reducing union adapter	Elbow adapter	Tee adapter
Configuration				
Part No.	P-RUTA	P-RUA	P-EA	P-TA
Reference page	29 and 30	31	32	32
	—	—	—	—

E) Others

	Union adapter (Pipe welding type)	Union flange	Cap	Cap sleeve	Union nut	Half nut	Sleeve
Configuration							
Part No.	P-UA	P-UF	P-CP	P-CS	P-UN	P-HN	P-S
Reference page	33	34	35	35	36	36	36
	—	—	42	42	43	—	43

●We also manufacture products other than those shown in the size tables. Please contact us separately for more information.

Specifications

Maximum operating temperature

200°C

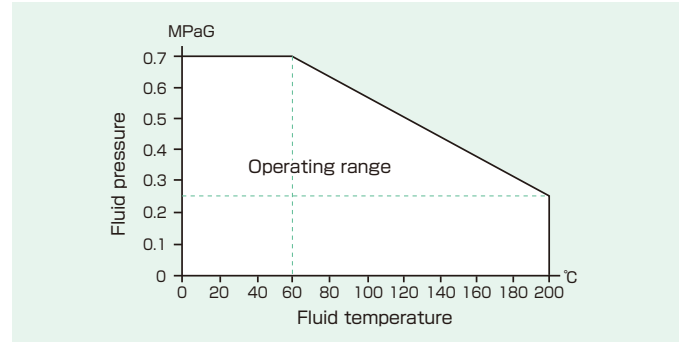
Maximum operating pressure

0.7 MPaG

Applicable fluid

Liquid

Note: For the relationship between the operating temperature and operating pressure, refer to the figure on the right.



Applicable tube sizes

Unit: mm

O.D.×I.D.	Thickness	Tolerance	
		O.D.	Thickness
3×2	0.5	±0.10	±0.05
4×3			
6×4	1.0	±0.12	±0.06
8×6			
10×8			
12×10	1.6	±0.20	±0.10
19×15.8			
25×22	1.5		

Unit: mm

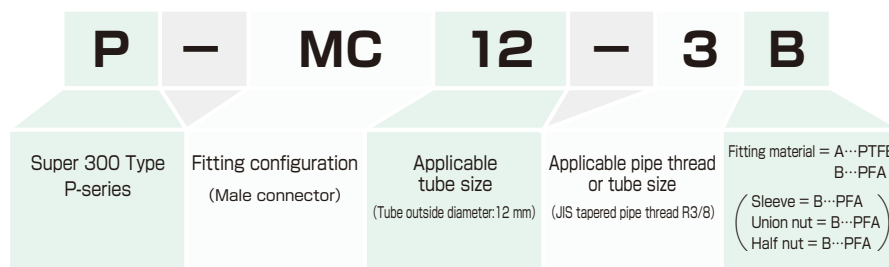
O.D.×I.D.	Thickness	Tolerance	
		O.D.	Thickness
3.18×2.18 (1/8"×0.086")	0.5	±0.10	±0.05
6.35×3.95 (1/4"×5/32")	1.2		
9.53×6.33 (3/8"×1/4")	1.6 (1/16")	±0.12	±0.10
12.7×9.5 (1/2"×3/8")			
19×15.8 (3/4"×5/8")			
25.4×22.2 (1"×7/8")		±0.20	

Applicable tube materials

PFA, PTFE

How to order

For ordering, please indicate the desired cataloged part number.



Applicable pipe thread representation

Pipe thread type	JIS tapered pipe thread						American National Standard tapered pipe thread					
	R1/8,Rc1/8	R1/4,Rc1/4	R3/8,Rc3/8	R1/2,Rc1/2	R3/4,Rc3/4	R1,Rc1	NPT1/8	NPT1/4	NPT3/8	NPT1/2	NPT3/4	NPT1
Representation	1	2	3	4	6	8	N1	N2	N3	N4	N6	N8

Applicable tube representation

Tube type	Tube outside diameter													
	3mm	4mm	6mm	8mm	10mm	12mm	19mm	25mm	1/8" (3.18mm)	1/4" (6.36mm)	3/8" (9.53mm)	1/2" (12.7mm)	3/4" (19mm)	1" (25.4mm)
Representation	3	4	6	8	10	12	19	25	W1	W2	W3	W4	W6	W8

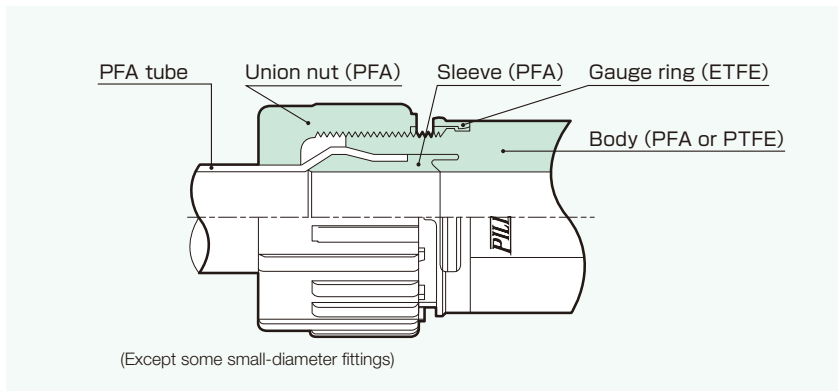
Note: Tube outside diameter: 19 mm = 3/4 inches (W6)

Fitting assembly procedure

■ Sleeve insertion and assembly of fitting (tube outside diameter: $\phi 6$ to $\phi 25$ or 1/4" to 1")

- ① Slide a union nut onto the tube.
- ② Insert a sleeve into the tube using the dedicated insertion tool.
- ③ Incorporate the inserted sleeve into the fitting body and tighten the union nut until it comes into contact with the protrusion on the gauge ring.
For details on how to use the dedicated insertion tool, refer to the latest edition of the Instruction Manual (No. 203-1).

● Structure of Super 300 Type PILLAR Fitting



■ Small-diameter fittings (for tube outside diameters $\phi 3$, $\phi 4$, and 1/8")

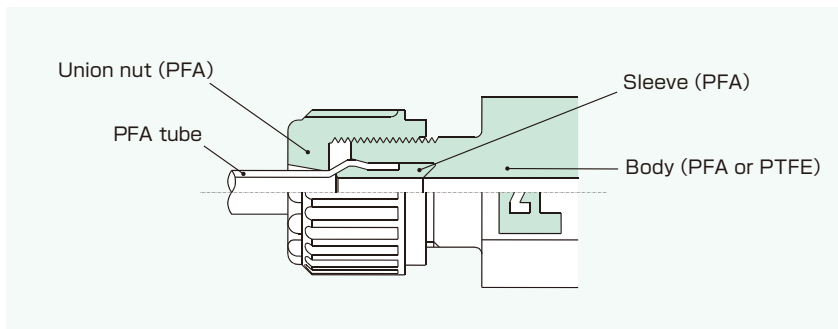
For small-diameter fittings with product numbers prefixed with * in the size tables, due to their small size, they are not equipped with gauge rings due to structural constraints.

For union nut tightening control, PILLAR gap gauge "SSG" is used to control the gap between the union nut and the fitting body.

Before inserting a sleeve into a tube, temporarily subject the tube to a flare (to expand the diameter of the tube).

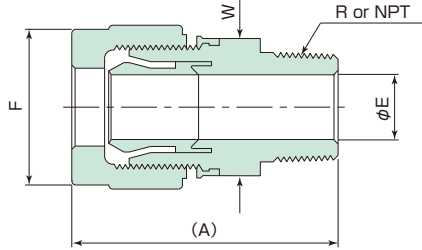
For details on how to use the dedicated insertion tool, refer to the latest edition of the Instruction Manual (No. 203-1).

● Structure of small-diameter fittings



P-MC Male connector

Width across flats of union nut



mm-based tube - R thread type

Unit: mm

Part No.	Tube size	Thread size	(A)	φ E	F	W
mm-based tube type (R)						
* P - MC 3 - 1B	3 × 2	R 1/8	31	2.1	12	12
* P - MC 3 - 2B	''	R 1/4	35	''	''	''
* P - MC 3 - 3A	''	R 3/8	''	''	''	19
* P - MC 3 - 4A	''	R 1/2	39	''	''	23
* P - MC 4 - 1B	4 × 3	R 1/8	30.5	3.1	12	12
* P - MC 4 - 2B	''	R 1/4	34.5	''	''	''
* P - MC 4 - 3A	''	R 3/8	''	''	''	19
* P - MC 4 - 4A	''	R 1/2	38.5	''	''	23
P - MC 6 - 1B	6 × 4	R 1/8	35	4	16	15
P - MC 6 - 2B	''	R 1/4	39	''	''	''
P - MC 6 - 3B	''	R 3/8	''	''	''	''
P - MC 6 - 4A	''	R 1/2	43	''	''	23
P - MC 6 - 6A	''	R 3/4	48	''	''	28
P - MC 8 - 1B	8 × 6	R 1/8	38	4	19	18
P - MC 8 - 2B	''	R 1/4	42	6	''	''
P - MC 8 - 3B	''	R 3/8	''	''	''	''
P - MC 8 - 4B	''	R 1/2	46	''	''	''
P - MC 8 - 6A	''	R 3/4	51	16	''	28
P - MC 10 - 1B	10 × 8	R 1/8	41	4	23	21
P - MC 10 - 2B	''	R 1/4	45	6	''	''
P - MC 10 - 3B	''	R 3/8	''	8	''	''
P - MC 10 - 4B	''	R 1/2	49	''	''	''
P - MC 10 - 6A	''	R 3/4	54	''	''	28
P - MC 12 - 1A	12 × 10	R 1/8	45	4.4	28	25
P - MC 12 - 2B	''	R 1/4	49	6	''	''
P - MC 12 - 3B	''	R 3/8	''	10	''	''
P - MC 12 - 4B	''	R 1/2	53	''	''	''
P - MC 12 - 6B	''	R 3/4	55	''	''	''
P - MC 12 - 8A	''	R 1	67	''	''	35
P - MC 19 - 2A	19 × 15.8	R 1/4	59	6	38	33.5
P - MC 19 - 3B	''	R 3/8	''	10	''	''
P - MC 19 - 4B	''	R 1/2	63	12	''	''
P - MC 19 - 6B	''	R 3/4	65	16	''	''
P - MC 19 - 8B	''	R 1	68	''	''	''
P - MC 25 - 3A	25 × 22	R 3/8	71	10	47.5	43
P - MC 25 - 4A	''	R 1/2	75	12	''	''
P - MC 25 - 6B	''	R 3/4	77	16	''	''
P - MC 25 - 8B	''	R 1	80	22	''	''

Inch-based tube - NPT thread type

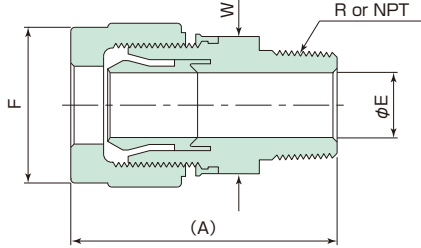
Unit: mm

Inch-based tube type (NPT)						
* P - MC W1 - N1B	1/8" × 0.086"	NPT 1/8	31	2.1	12	12
* P - MC W1 - N2B	''	NPT 1/4	35	''	''	''
* P - MC W1 - N3A	''	NPT 3/8	''	''	''	19
* P - MC W1 - N4A	''	NPT 1/2	39	''	''	23
P - MC W2 - N1B	1/4" × 5/32"	NPT 1/8	35	4	16	15
P - MC W2 - N2B	''	NPT 1/4	39	''	''	''
P - MC W2 - N3B	''	NPT 3/8	''	''	''	''
P - MC W2 - N4A	''	NPT 1/2	43	''	''	23
P - MC W2 - N6A	''	NPT 3/4	48	''	''	28
P - MC W3 - N1B	3/8" × 1/4"	NPT 1/8	41	4	23	21
P - MC W3 - N2B	''	NPT 1/4	45	6	''	''
P - MC W3 - N3B	''	NPT 3/8	''	8	''	''
P - MC W3 - N4B	''	NPT 1/2	49	''	''	''
P - MC W3 - N6A	''	NPT 3/4	54	''	''	28
P - MC W4 - N1A	1/2" × 3/8"	NPT 1/8	45	4.4	28	25
P - MC W4 - N2B	''	NPT 1/4	49	6	''	''
P - MC W4 - N3B	''	NPT 3/8	''	10	''	''
P - MC W4 - N4B	''	NPT 1/2	53	''	''	''
P - MC W4 - N6B	''	NPT 3/4	55	''	''	''
P - MC W4 - N8A	''	NPT 1	67	''	''	35
P - MC W6 - N2A	3/4" × 5/8"	NPT 1/4	59	6	38	33.5
P - MC W6 - N3B	''	NPT 3/8	''	10	''	''
P - MC W6 - N4B	''	NPT 1/2	63	12	''	''
P - MC W6 - N6B	''	NPT 3/4	65	16	''	''
P - MC W6 - N8B	''	NPT 1	68	''	''	''
P - MC W8 - N3A	1" × 7/8"	NPT 3/8	71	10	47.5	43
P - MC W8 - N4A	''	NPT 1/2	75	12	''	''
P - MC W8 - N6B	''	NPT 3/4	77	16	''	''
P - MC W8 - N8B	''	NPT 1	80	22	''	''

Notes: 1) All sizes in the tables are reference values.
 2) "W" indicates the body width across flats.
 3) For product numbers prefixed with *, refer to "Some small-diameter fittings" on page 4.

P-MC Male connector

Width across flats of union nut



mm-based tube - NPT thread type

Unit: mm

Part No.	Tube size	Thread size	(A)	φ E	F	W
mm-based tube type (NPT)						
* P - MC 3 - N1B	3 × 2	NPT 1/8	31	2.1	12	12
* P - MC 3 - N2B	"	NPT 1/4	35	"	"	"
* P - MC 3 - N3A	"	NPT 3/8	"	"	"	19
* P - MC 3 - N4A	"	NPT 1/2	39	"	"	23
* P - MC 4 - N1B	4 × 3	NPT 1/8	30.5	3.1	12	12
* P - MC 4 - N2B	"	NPT 1/4	34.5	"	"	"
* P - MC 4 - N3A	"	NPT 3/8	"	"	"	19
* P - MC 4 - N4A	"	NPT 1/2	38.5	"	"	23
P - MC 6 - N1B	6 × 4	NPT 1/8	35	4	16	15
P - MC 6 - N2B	"	NPT 1/4	39	"	"	"
P - MC 6 - N3B	"	NPT 3/8	"	"	"	"
P - MC 6 - N4A	"	NPT 1/2	43	"	"	23
P - MC 6 - N6A	"	NPT 3/4	48	"	"	28
P - MC 8 - N1B	8 × 6	NPT 1/8	38	4	19	18
P - MC 8 - N2B	"	NPT 1/4	42	6	"	"
P - MC 8 - N3B	"	NPT 3/8	"	"	"	"
P - MC 8 - N4B	"	NPT 1/2	46	"	"	"
P - MC 8 - N6A	"	NPT 3/4	51	16	"	28
P - MC 10 - N1B	10 × 8	NPT 1/8	41	4	23	21
P - MC 10 - N2B	"	NPT 1/4	45	6	"	"
P - MC 10 - N3B	"	NPT 3/8	"	8	"	"
P - MC 10 - N4B	"	NPT 1/2	49	"	"	"
P - MC 10 - N6A	"	NPT 3/4	54	"	"	28
P - MC 12 - N1A	12 × 10	NPT 1/8	45	4.4	28	25
P - MC 12 - N2B	"	NPT 1/4	49	6	"	"
P - MC 12 - N3B	"	NPT 3/8	"	10	"	"
P - MC 12 - N4B	"	NPT 1/2	53	"	"	"
P - MC 12 - N6B	"	NPT 3/4	55	"	"	"
P - MC 12 - N8A	"	NPT 1	67	"	"	35
P - MC 19 - N2A	19 × 15.8	NPT 1/4	59	6	38	33.5
P - MC 19 - N3B	"	NPT 3/8	"	10	"	"
P - MC 19 - N4B	"	NPT 1/2	63	12	"	"
P - MC 19 - N6B	"	NPT 3/4	65	16	"	"
P - MC 19 - N8B	"	NPT 1	68	"	"	"
P - MC 25 - N3A	25 × 22	NPT 3/8	71	10	47.5	43
P - MC 25 - N4A	"	NPT 1/2	75	12	"	"
P - MC 25 - N6B	"	NPT 3/4	77	16	"	"
P - MC 25 - N8B	"	NPT 1	80	22	"	"

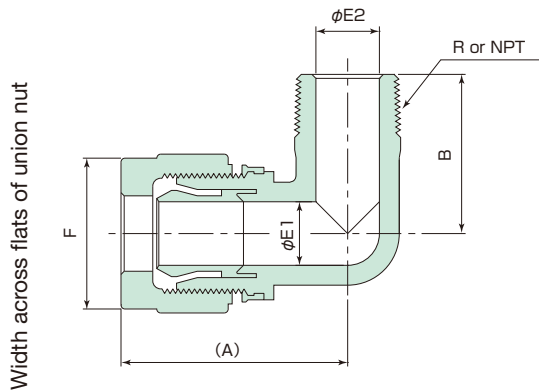
Inch-based tube - R thread type

Unit: mm

Inch-based tube type (R)						
* P - MC W1 - 1B	1/8" × 0.086"	R 1/8	31	2.1	12	12
* P - MC W1 - 2B	"	R 1/4	35	"	"	"
* P - MC W1 - 3A	"	R 3/8	"	"	"	19
* P - MC W1 - 4A	"	R 1/2	39	"	"	23
P - MC W2 - 1B	1/4" × 5/32"	R 1/8	35	4	16	15
P - MC W2 - 2B	"	R 1/4	39	"	"	"
P - MC W2 - 3B	"	R 3/8	"	"	"	"
P - MC W2 - 4A	"	R 1/2	43	"	"	23
P - MC W2 - 6A	"	R 3/4	48	"	"	28
P - MC W3 - 1B	3/8" × 1/4"	R 1/8	41	4	23	21
P - MC W3 - 2B	"	R 1/4	45	6	"	"
P - MC W3 - 3B	"	R 3/8	"	8	"	"
P - MC W3 - 4B	"	R 1/2	49	"	"	"
P - MC W3 - 6A	"	R 3/4	54	"	"	28
P - MC W4 - 1A	1/2" × 3/8"	R 1/8	45	4.4	28	25
P - MC W4 - 2B	"	R 1/4	49	6	"	"
P - MC W4 - 3B	"	R 3/8	"	10	"	"
P - MC W4 - 4B	"	R 1/2	53	"	"	"
P - MC W4 - 6B	"	R 3/4	55	"	"	"
P - MC W4 - 8A	"	R 1	67	"	"	35
P - MC W6 - 2A	3/4" × 5/8"	R 1/4	59	6	38	33.5
P - MC W6 - 3B	"	R 3/8	"	10	"	"
P - MC W6 - 4B	"	R 1/2	63	12	"	"
P - MC W6 - 6B	"	R 3/4	65	16	"	"
P - MC W6 - 8B	"	R 1	68	"	"	"
P - MC W8 - 3A	1" × 7/8"	R 3/8	71	10	47.5	43
P - MC W8 - 4A	"	R 1/2	75	12	"	"
P - MC W8 - 6B	"	R 3/4	77	16	"	"
P - MC W8 - 8B	"	R 1	80	22	"	"

Notes: 1) All sizes in the tables are reference values.
 2) "W" indicates the body width across flats.
 3) For product numbers prefixed with *, refer to "Some small-diameter fittings" on page 4.

P-ME Male elbow



mm-based tube - R thread type

Unit: mm

Part No.	Tube size	Thread size	(A)	B	φ E1	φ E2	F	W
mm-based tube type (R)								
* P - ME 3 - 1B	3 × 2	R 1/8	23	18.5	2.1	2.1	12	8
* P - ME 3 - 2B	"	R 1/4	"	22.5	"	"	"	"
* P - ME 3 - 3A	"	R 3/8	25	19.5	"	10	"	20
* P - ME 3 - 4A	"	R 1/2	26.5	22	"	12	"	23
* P - ME 4 - 1B	4 × 3	R 1/8	22.5	18.5	3.1	3.1	12	8
* P - ME 4 - 2B	"	R 1/4	"	22.5	"	"	"	"
* P - ME 4 - 3A	"	R 3/8	24.5	18	"	10	"	20
* P - ME 4 - 4A	"	R 1/2	26	22	"	12	"	23
P - ME 6 - 1B	6 × 4	R 1/8	30	21	4	4	16	10
P - ME 6 - 2B	"	R 1/4	"	25	"	"	"	"
P - ME 6 - 3B	"	R 3/8	31.5	26.5	"	"	"	13
P - ME 6 - 4A	"	R 1/2	30.5	"	"	12	"	23
P - ME 6 - 6A	"	R 3/4	33	"	"	16	"	28
P - ME 8 - 1B	8 × 6	R 1/8	34.5	22.5	6	4	19	13
P - ME 8 - 2B	"	R 1/4	"	26.5	"	6	"	"
P - ME 8 - 3B	"	R 3/8	"	"	"	"	"	"
P - ME 8 - 4B	"	R 1/2	36	32	"	"	"	15
P - ME 8 - 6A	"	R 3/4	"	28	"	16	"	28
P - ME 10 - 1B	10 × 8	R 1/8	39.5	24	8	4	23	15
P - ME 10 - 2B	"	R 1/4	"	28	"	6	"	"
P - ME 10 - 3B	"	R 3/8	"	"	"	8	"	"
P - ME 10 - 4B	"	R 1/2	"	32	"	"	"	"
P - ME 10 - 6A	"	R 3/4	39	29.5	"	16	"	28
P - ME 12 - 1A	12 × 10	R 1/8	35.5	22.5	10	4.4	28	25
P - ME 12 - 2B	"	R 1/4	45.5	30	"	6	"	18
P - ME 12 - 3B	"	R 3/8	"	"	"	10	"	"
P - ME 12 - 4B	"	R 1/2	"	34	"	"	"	"
P - ME 12 - 6B	"	R 3/4	"	36	"	"	"	"
P - ME 12 - 8A	"	R 1	46.5	35.5	"	22.2	"	35
P - ME 19 - 2A	19 × 15.8	R 1/4	44.5	32.4	16	6	38	33.5
P - ME 19 - 3B	"	R 3/8	57	34	"	10	"	27
P - ME 19 - 4B	"	R 1/2	"	38	"	12	"	"
P - ME 19 - 6B	"	R 3/4	"	40	"	16	"	"
P - ME 19 - 8A	"	R 1	53.5	39.8	"	"	"	35
P - ME 25 - 3A	25 × 22	R 3/8	53	34.5	22	10	47.5	43
P - ME 25 - 4A	"	R 1/2	54.5	40	"	12	"	"
P - ME 25 - 6B	"	R 3/4	69.5	45	"	16	"	34
P - ME 25 - 8B	"	R 1	"	49	"	22	"	"

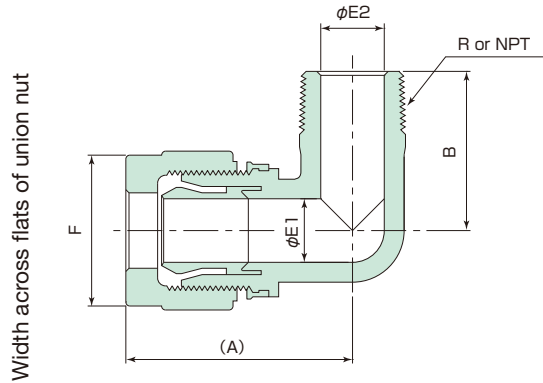
Inch-based tube - NPT thread type

Unit: mm

Inch-based tube type (NPT)								
* P - ME W1 - N1B	1/8" × 0.086"	NPT 1/8	23	18.5	2.1	2.1	12	8
* P - ME W1 - N2B	"	NPT 1/4	"	22.5	"	"	"	"
* P - ME W1 - N3A	"	NPT 3/8	25	19.5	"	10	"	20
* P - ME W1 - N4A	"	NPT 1/2	26.5	22	"	12	"	23
P - ME W2 - N1B	1/4" × 5/32"	NPT 1/8	30	21	4	4	16	10
P - ME W2 - N2B	"	NPT 1/4	"	25	"	"	"	"
P - ME W2 - N3B	"	NPT 3/8	31.5	26.5	"	"	"	13
P - ME W2 - N4A	"	NPT 1/2	30.5	24.5	"	12	"	23
P - ME W2 - N6A	"	NPT 3/4	33	26.5	"	16	"	28
P - ME W3 - N1B	3/8" × 1/4"	NPT 1/8	39.5	24	8	4	23	15
P - ME W3 - N2B	"	NPT 1/4	"	28	"	6	"	"
P - ME W3 - N3B	"	NPT 3/8	"	"	"	8	"	"
P - ME W3 - N4B	"	NPT 1/2	"	32	"	"	"	"
P - ME W3 - N6A	"	NPT 3/4	39	29.5	"	16	"	28
P - ME W4 - N1A	1/2" × 3/8"	NPT 1/8	35.5	23.9	10	4.4	28	25
P - ME W4 - N2B	"	NPT 1/4	45.5	30	"	6	"	18
P - ME W4 - N3B	"	NPT 3/8	"	"	"	10	"	"
P - ME W4 - N4B	"	NPT 1/2	"	34	"	"	"	"
P - ME W4 - N6B	"	NPT 3/4	"	36	"	"	"	"
P - ME W4 - N8A	"	NPT 1	46.5	35.5	"	22	"	35
P - ME W6 - N2A	3/4" × 5/8"	NPT 1/4	44.5	32.4	16	6	38	33.5
P - ME W6 - N3B	"	NPT 3/8	57	34	"	10	"	27
P - ME W6 - N4B	"	NPT 1/2	"	38	"	12	"	"
P - ME W6 - N6B	"	NPT 3/4	"	40	"	16	"	"
P - ME W6 - N8A	"	NPT 1	53.5	39.8	"	"	"	35
P - ME W8 - N3A	1" × 7/8"	NPT 3/8	53	34.5	22	10	47.5	43
P - ME W8 - N4A	"	NPT 1/2	54.5	41	"	12	"	"
P - ME W8 - N6B	"	NPT 3/4	69.5	45	"	16	"	34
P - ME W8 - N8B	"	NPT 1	"	49	"	22	"	"

Notes: 1) All sizes in the tables are reference values.
 2) "W" indicates the body width across flats.
 3) For product numbers prefixed with *, refer to "Some small-diameter fittings" on page 4.

P-ME Male elbow



mm-based tube - NPT thread type

Unit: mm

Part No.	Tube size	Thread size	(A)	B	φE1	φE2	F	W
mm-based tube type (NPT)								
* P - ME 3 - N1B	3 × 2	NPT 1/8	23	18.5	2.1	2.1	12	8
* P - ME 3 - N2B	"	NPT 1/4	"	22.5	"	"	"	"
* P - ME 3 - N3A	"	NPT 3/8	25	19.5	"	10	"	20
* P - ME 3 - N4A	"	NPT 1/2	26.5	22	"	12	"	23
* P - ME 4 - N1B	4 × 3	NPT 1/8	22.5	18.5	3.1	3.1	12	8
* P - ME 4 - N2B	"	NPT 1/4	"	22.5	"	"	"	"
* P - ME 4 - N3A	"	NPT 3/8	24.5	18.5	"	10	"	19.5
* P - ME 4 - N4A	"	NPT 1/2	26	22	"	12	"	23
P - ME 6 - N1B	6 × 4	NPT 1/8	30	21	4	4	16	10
P - ME 6 - N2B	"	NPT 1/4	"	25	"	"	"	"
P - ME 6 - N3B	"	NPT 3/8	31.5	26.5	"	"	"	13
P - ME 6 - N4A	"	NPT 1/2	30.5	24.5	"	12	"	23
P - ME 6 - N6A	"	NPT 3/4	33	26.5	"	16	"	28
P - ME 8 - N1B	8 × 6	NPT 1/8	34.5	22.5	6	4	19	13
P - ME 8 - N2B	"	NPT 1/4	"	26.5	"	6	"	"
P - ME 8 - N3B	"	NPT 3/8	"	"	"	"	"	"
P - ME 8 - N4B	"	NPT 1/2	36	32	"	"	"	15
P - ME 8 - N6A	"	NPT 3/4	"	28	"	"	"	28
P - ME 10 - N1B	10 × 8	NPT 1/8	39.5	24	8	4	23	15
P - ME 10 - N2B	"	NPT 1/4	"	28	"	6	"	"
P - ME 10 - N3B	"	NPT 3/8	"	"	"	8	"	"
P - ME 10 - N4B	"	NPT 1/2	"	32	"	"	"	"
P - ME 10 - N6A	"	NPT 3/4	39	29.5	"	16	"	28
P - ME 12 - N1A	12 × 10	NPT 1/8	35.5	23.9	10	4.4	28	25
P - ME 12 - N2B	"	NPT 1/4	45.5	30	"	6	"	18
P - ME 12 - N3B	"	NPT 3/8	"	"	"	10	"	"
P - ME 12 - N4B	"	NPT 1/2	"	34	"	"	"	"
P - ME 12 - N6B	"	NPT 3/4	"	36	"	"	"	"
P - ME 12 - N8A	"	NPT 1	46.5	35.5	"	22.2	"	35
P - ME 19 - N2A	19 × 15.8	NPT 1/4	44.5	32.4	16	6	38	33.5
P - ME 19 - N3B	"	NPT 3/8	57	34	"	10	"	27
P - ME 19 - N4B	"	NPT 1/2	"	38	"	12	"	"
P - ME 19 - N6B	"	NPT 3/4	"	40	"	16	"	"
P - ME 19 - N8A	"	NPT 1	53.5	39.8	"	"	"	35
P - ME 25 - N3A	25 × 22	NPT 3/8	53	34.5	22	10	47.5	43
P - ME 25 - N4A	"	NPT 1/2	54.5	41	"	12	"	"
P - ME 25 - N6B	"	NPT 3/4	70	45	"	16	"	34
P - ME 25 - N8B	"	NPT 1	"	49	"	22	"	"

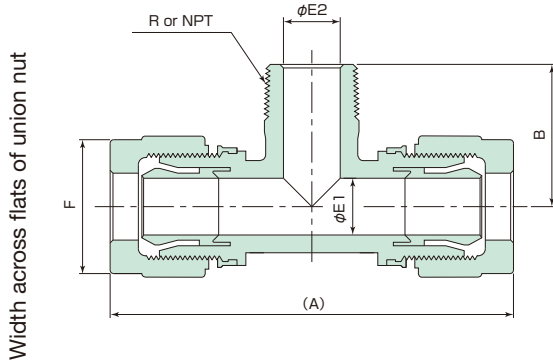
Inch-based tube - R thread type

Unit: mm

Inch-based tube type (R)								
* P - ME W1 - 1B	1/8" × 0.086"	R 1/8	23	18.5	2.1	2.1	12	8
* P - ME W1 - 2B	"	R 1/4	"	22.5	"	"	"	"
* P - ME W1 - 3A	"	R 3/8	25	19.5	"	10	"	20
* P - ME W1 - 4A	"	R 1/2	26.5	22	"	12	"	23
P - ME W2 - 1B	1/4" × 5/32"	R 1/8	30	21	4	4	16	10
P - ME W2 - 2B	"	R 1/4	"	25	"	"	"	"
P - ME W2 - 3B	"	R 3/8	31.5	26.5	"	"	"	13
P - ME W2 - 4A	"	R 1/2	30.5	"	"	12	"	23
P - ME W2 - 6A	"	R 3/4	33	"	"	4	"	28
P - ME W3 - 1B	3/8" × 1/4"	R 1/8	39.5	24	8	4	23	15
P - ME W3 - 2B	"	R 1/4	"	28	"	6	"	"
P - ME W3 - 3B	"	R 3/8	"	"	"	8	"	"
P - ME W3 - 4B	"	R 1/2	"	32	"	"	"	"
P - ME W3 - 6A	"	R 3/4	39	29.5	"	16	"	28
P - ME W4 - 1A	1/2" × 3/8"	R 1/8	35.5	22.5	10	4.4	28	25
P - ME W4 - 2B	"	R 1/4	45.5	30	"	6	"	18
P - ME W4 - 3B	"	R 3/8	"	"	"	10	"	"
P - ME W4 - 4B	"	R 1/2	"	34	"	"	"	"
P - ME W4 - 6B	"	R 3/4	"	36	"	"	"	"
P - ME W4 - 8A	"	R 1	46.5	35.5	"	22.2	"	35
P - ME W6 - 2A	3/4" × 5/8"	R 1/4	44.5	32.4	16	6	38	33.5
P - ME W6 - 3B	"	R 3/8	57	34	"	10	"	27
P - ME W6 - 4B	"	R 1/2	"	38	"	12	"	"
P - ME W6 - 6B	"	R 3/4	"	40	"	16	"	"
P - ME W6 - 8A	"	R 1	53.5	39.8	"	"	"	35
P - ME W8 - 3A	1" × 7/8"	R 3/8	53	34.5	22	10	47.5	43
P - ME W8 - 4A	"	R 1/2	54.5	40	"	12	"	"
P - ME W8 - 6B	"	R 3/4	70	45	"	16	"	34
P - ME W8 - 8B	"	R 1	"	49	"	22	"	"

Notes: 1) All sizes in the tables are reference values.
 2) "W" indicates the body width across flats.
 3) For product numbers prefixed with *, refer to "Some small-diameter fittings" on page 4.

P-MBT Male branch tee



Unit: mm

Part No.	Tube size	Thread size	(A)	B	$\phi E1$	$\phi E2$	F	W
mm-based tube type								
* P - MBT 3 - 1B	3 × 2	R 1/8	45.5	18.5	2.1	2.1	12	8
* P - MBT 3 - 2B	"	R 1/4	"	22.5	"	"	"	"
* P - MBT 4 - 1B	4 × 3	R 1/8	45.5	18.5	3.1	3.1	12	8
* P - MBT 4 - 2B	"	R 1/4	"	22.5	"	"	"	"
P - MBT 6 - 1B	6 × 4	R 1/8	60	21	4	4	16	10
P - MBT 6 - 2B	"	R 1/4	"	25	"	"	"	"
P - MBT 6 - 3B	"	R 3/8	63	26.5	"	"	"	13
P - MBT 8 - 1B	8 × 6	R 1/8	69	22.5	6	4	19	13
P - MBT 8 - 2B	"	R 1/4	"	26.5	"	6	"	"
P - MBT 8 - 3B	"	R 3/8	"	"	"	"	"	"
P - MBT 8 - 4B	"	R 1/2	72	32	"	"	"	15
P - MBT 10 - 1B	10 × 8	R 1/8	79	24	8	4	23	15
P - MBT 10 - 2B	"	R 1/4	"	28	"	6	"	"
P - MBT 10 - 3B	"	R 3/8	"	"	"	8	"	"
P - MBT 10 - 4B	"	R 1/2	"	32	"	"	"	"
P - MBT 12 - 2B	12 × 10	R 1/4	91	30	10	6	28	18
P - MBT 12 - 3B	"	R 3/8	"	"	"	10	"	"
P - MBT 12 - 4B	"	R 1/2	"	34	"	"	"	"
P - MBT 12 - 6B	"	R 3/4	"	36	"	"	"	"
P - MBT 19 - 2A	19 × 15.8	R 1/4	89	32.8	16	6	38	33.5
P - MBT 19 - 3B	"	R 3/8	114	34	"	10	"	27
P - MBT 19 - 4B	"	R 1/2	"	38	"	12	"	"
P - MBT 19 - 6B	"	R 3/4	"	40	"	16	"	"
P - MBT 25 - 4A	25 × 22	R 1/2	109	41.5	22	12	47.5	43
P - MBT 25 - 6B	"	R 3/4	139	45	"	16	"	34
P - MBT 25 - 8B	"	R 1	"	49	"	22	"	"

Unit: mm

Inch-based tube type								
* P - MBT W1 - N1B	1/8" × 0.086"	NPT 1/8	45.5	18.5	2.1	2.1	12	8
* P - MBT W1 - N2B	"	NPT 1/4	"	22.5	"	"	"	"
P - MBT W2 - N1B	1/4" × 5/32"	NPT 1/8	60	21	4	4	16	10
P - MBT W2 - N2B	"	NPT 1/4	"	25	"	"	"	"
P - MBT W2 - N3B	"	NPT 3/8	63	26.5	"	"	"	13
P - MBT W3 - N1B	3/8" × 1/4"	NPT 1/8	79	24	8	4	23	15
P - MBT W3 - N2B	"	NPT 1/4	"	28	"	6	"	"
P - MBT W3 - N3B	"	NPT 3/8	"	"	"	8	"	"
P - MBT W3 - N4B	"	NPT 1/2	"	32	"	"	"	"
P - MBT W4 - N2B	1/2" × 3/8"	NPT 1/4	91	30	10	6	28	18
P - MBT W4 - N3B	"	NPT 3/8	"	"	"	10	"	"
P - MBT W4 - N4B	"	NPT 1/2	"	34	"	"	"	"
P - MBT W4 - N6B	"	NPT 3/4	"	36	"	"	"	"
P - MBT W6 - N2A	3/4" × 5/8"	NPT 1/4	89	32.8	16	6	38	33.5
P - MBT W6 - N3B	"	NPT 3/8	114	34	"	10	"	27
P - MBT W6 - N4B	"	NPT 1/2	"	38	"	12	"	"
P - MBT W6 - N6B	"	NPT 3/4	"	40	"	16	"	"
P - MBT W8 - N4A	1" × 7/8"	NPT 1/2	109	41.5	22	12	47.5	43
P - MBT W8 - N6B	"	NPT 3/4	139	45	"	16	"	34
P - MBT W8 - N8B	"	NPT 1	"	49	"	22	"	"

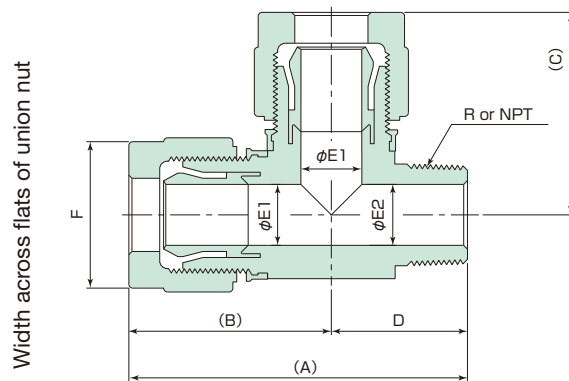
Notes: 1) We can also manufacture NPT threads for mm-based tube types and R threads for inch-based tube types. Please contact us for more information.

2) All sizes in the tables are reference values.

3) "W" indicates the body width across flats.

4) For product numbers prefixed with *, refer to "Some small-diameter fittings" on page 4.

P-MRT Male run tee



Unit: mm

Part No.	Tube size	Thread size	(A)	(B)	(C)	D	φ E1	φ E2	F	W
mm-based tube type										
* P - MRT 3 - 1A	3 × 2	R 1/8	35	20.5	20.5	14.5	2.1	4.4	12	11
* P - MRT 3 - 2A	"	R 1/4	42	22	22	20	"	6	"	14
* P - MRT 4 - 1A	4 × 3	R 1/8	34.5	20	20	14.5	3.1	4.4	12	11
* P - MRT 4 - 2A	"	R 1/4	41.5	21.5	21.5	20	"	6	"	14
P - MRT 6 - 1A	6 × 4	R 1/8	44	26.5	26.5	17.5	4	4	16	15
P - MRT 6 - 2A	"	R 1/4	47.5	"	27.5	21	"	6	"	17
P - MRT 6 - 3A	"	R 3/8	"	"	29	"	"	10	"	19.5
P - MRT 8 - 1A	8 × 6	R 1/8	50.5	31.5	31.5	19	6	4	19	19
P - MRT 8 - 2A	"	R 1/4	54	"	"	22.5	"	6	"	"
P - MRT 8 - 3A	"	R 3/8	"	"	32	"	"	10	"	19.5
P - MRT 8 - 4A	"	R 1/2	58	"	33.5	26.5	"	12	"	23
P - MRT 10 - 1A	10 × 8	R 1/8	57	36	36	21	8	4	23	22
P - MRT 10 - 2A	"	R 1/4	61	"	"	25	"	6	"	"
P - MRT 10 - 3A	"	R 3/8	"	"	"	"	"	10	"	"
P - MRT 10 - 4A	"	R 1/2	64	"	36.5	28	"	12	"	23
P - MRT 12 - 2A	12 × 10	R 1/4	69	41.5	41.5	27.5	10	6	28	25
P - MRT 12 - 3A	"	R 3/8	"	"	"	"	"	10	"	"
P - MRT 12 - 4A	"	R 1/2	72.5	"	"	31	"	12	"	"
P - MRT 12 - 6A	"	R 3/4	73.5	"	43	32	"	16	"	28
P - MRT 19 - 2A	19 × 15.8	R 1/4	82.5	53	53	29.8	16	6	38	33.5
P - MRT 19 - 3A	"	R 3/8	84	"	"	31.3	"	10	"	"
P - MRT 19 - 4A	"	R 1/2	87.5	"	"	34.8	"	12	"	"
P - MRT 19 - 6A	"	R 3/4	88.5	"	"	35.8	"	16	"	"
P - MRT 25 - 6A	25 × 22	R 3/4	105.5	64.5	64.5	41	22	16	47.5	43
P - MRT 25 - 8A	"	R 1	109	"	"	44.5	"	22	"	"

Unit: mm

Inch-based tube type										
* P - MRT W1 - N1A	1/8" × 0.086"	NPT 1/8	35	20.5	20.5	14.5	2.1	4.4	12	11
* P - MRT W1 - N2A	"	NPT 1/4	42	22	22	20	"	6	"	14
P - MRT W2 - N1A	1/4" × 5/32"	NPT 1/8	44	26.5	26.5	17.5	4	4	16	15
P - MRT W2 - N2A	"	NPT 1/4	47.5	"	27.5	21	"	6	"	17
P - MRT W2 - N3A	"	NPT 3/8	"	"	29	"	"	10	"	19.5
P - MRT W3 - N1A	3/8" × 1/4"	NPT 1/8	57	36	36	21	8	4	23	22
P - MRT W3 - N2A	"	NPT 1/4	61	"	"	25	"	6	"	"
P - MRT W3 - N3A	"	NPT 3/8	"	"	"	"	"	10	"	"
P - MRT W3 - N4A	"	NPT 1/2	64	"	36.5	28	"	12	"	23
P - MRT W4 - N2A	1/2" × 3/8"	NPT 1/4	69	41.5	41.5	27.5	10	6	28	25
P - MRT W4 - N3A	"	NPT 3/8	"	"	"	"	"	10	"	"
P - MRT W4 - N4A	"	NPT 1/2	72.5	"	"	31	"	12	"	"
P - MRT W4 - N6A	"	NPT 3/4	73.5	"	43	32	"	16	"	28
P - MRT W6 - N2A	3/4" × 5/8"	NPT 1/4	82.5	53	53	29.8	16	6	38	33.5
P - MRT W6 - N3A	"	NPT 3/8	84	"	"	31.3	"	10	"	"
P - MRT W6 - N4A	"	NPT 1/2	87.5	"	"	34.8	"	12	"	"
P - MRT W6 - N6A	"	NPT 3/4	88.5	"	"	35.8	"	16	"	"
P - MRT W8 - N6A	1" × 7/8"	NPT 3/4	105.5	64.5	64.5	41	22	16	47.5	43
P - MRT W8 - N8A	"	NPT 1	109	"	"	44.5	"	22	"	"

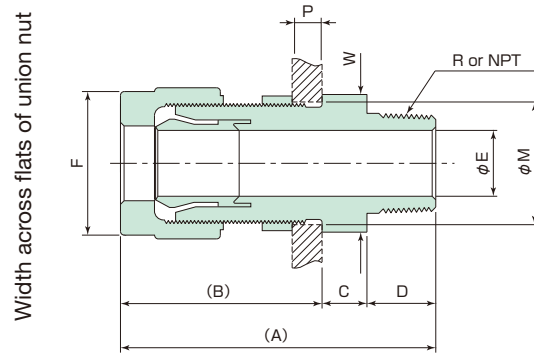
Notes: 1) We can also manufacture NPT threads for mm-based tube types and R threads for inch-based tube types. Please contact us for more information.

2) All sizes in the tables are reference values.

3) "W" indicates the body width across flats.

4) For product numbers prefixed with *, refer to "Some small-diameter fittings" on page 4.

P-PMMC Panel mount male connector



Unit: mm

Part No.	Tube size T	Thread size R	(A)	(B)	C	D	ϕE	F	Panel thickness MAX P	Panel hole diameter ϕM	W
mm-based tube type											
P - PMMC 10 - 3A	10 × 8	R 3/8	59	39	7	13	8	23	7	18.5	22
P - PMMC 12 - 4A	12 × 10	R 1/2	69	45	7	17	10	28	7	22.5	27
P - PMMC 19 - 4A	19 × 15.8	R 1/2	79	52	10	17	12	38	7	31	38
P - PMMC 19 - 6A	//	R 3/4	81	//	//	19	16	//	//	//	//
P - PMMC 25 - 8A	25 × 22	R 1	103	65	15	23	22	47.5	10	41	46

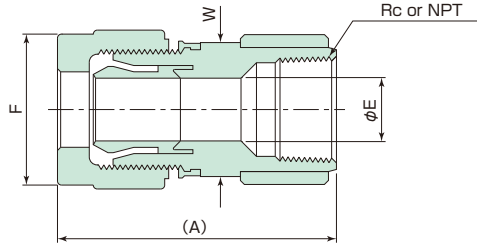
Unit: mm

Inch-based tube type											
P - PMMC W3 - 3A	3/8" × 1/4"	R 3/8	59	39	7	13	8	23	7	18.5	22
P - PMMC W4 - 4A	1/2" × 3/8"	R 1/2	69	45	7	17	10	28	7	22.5	27
P - PMMC W6 - 4A	3/4" × 5/8"	R 1/2	79	52	10	17	12	38	7	31	38
P - PMMC W6 - 6A	//	R 3/4	81	//	//	19	16	//	//	//	//
P - PMMC W8 - 8A	1" × 7/8"	R 1	103	65	15	23	22	47.5	10	41	46

- Notes: 1) P-PMMC W6-4A = P-PMMC 19-4A
 2) P-PMMC W6-6A = P-PMMC 19-6A
 3) All sizes in the tables are reference values.
 4) "W" indicates the body width across flats.

P-FC Female connector

Width across flats of union nut



Unit: mm

Part No.	Tube size	Thread size	(A)	ϕ E	F	W
mm-based tube type						
* P - FC 3 - 1A	3 × 2	Rc 1/8	36	2.1	12	17
* P - FC 3 - 2A	//	Rc 1/4	38	//	//	19
* P - FC 4 - 1A	4 × 3	Rc 1/8	35.5	3.1	12	17
* P - FC 4 - 2A	//	Rc 1/4	37.5	//	//	19
P - FC 6 - 1A	6 × 4	Rc 1/8	40	4	16	17
P - FC 6 - 2A	//	Rc 1/4	42	//	//	19
P - FC 6 - 3A	//	Rc 3/8	44	//	//	22
P - FC 6 - 4A	//	Rc 1/2	46	//	//	27
P - FC 8 - 1A	8 × 6	Rc 1/8	43	6	19	18
P - FC 8 - 2A	//	Rc 1/4	45	//	//	19
P - FC 8 - 3A	//	Rc 3/8	47	//	//	22
P - FC 8 - 4A	//	Rc 1/2	49	//	//	27
P - FC 10 - 1A	10 × 8	Rc 1/8	46	8	23	21
P - FC 10 - 2A	//	Rc 1/4	48	//	//	//
P - FC 10 - 3A	//	Rc 3/8	50	//	//	22
P - FC 10 - 4A	//	Rc 1/2	52	//	//	27
P - FC 12 - 1A	12 × 10	Rc 1/8	50	8.2	28	25
P - FC 12 - 2A	//	Rc 1/4	52	10	//	//
P - FC 12 - 3A	//	Rc 3/8	54	//	//	//
P - FC 12 - 4A	//	Rc 1/2	56	//	//	27
P - FC 12 - 6A	//	Rc 3/4	63	//	//	33.5
P - FC 19 - 2A	19 × 15.8	Rc 1/4	62	10.9	38	33.5
P - FC 19 - 3A	//	Rc 3/8	64	14.4	//	//
P - FC 19 - 4A	//	Rc 1/2	66	16	//	//
P - FC 19 - 6A	//	Rc 3/4	70	//	//	//
P - FC 25 - 6A	25 × 22	Rc 3/4	82	22	47.5	43
P - FC 25 - 8A	//	Rc 1	84	//	//	//

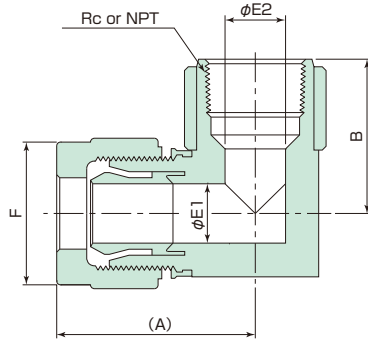
Unit: mm

Inch-based tube type						
* P - FC W1 - N1A	1/8" × 0.086"	NPT 1/8	36	2.1	12	17
* P - FC W1 - N2A	//	NPT 1/4	38	//	//	19
P - FC W2 - N1A	1/4" × 5/32"	NPT 1/8	40	4	16	17
P - FC W2 - N2A	//	NPT 1/4	42	//	//	19
P - FC W2 - N3A	//	NPT 3/8	44	//	//	22
P - FC W2 - N4A	//	NPT 1/2	46	//	//	27
P - FC W3 - N1A	3/8" × 1/4"	NPT 1/8	46	8	23	21
P - FC W3 - N2A	//	NPT 1/4	48	//	//	//
P - FC W3 - N3A	//	NPT 3/8	50	//	//	22
P - FC W3 - N4A	//	NPT 1/2	52	//	//	27
P - FC W4 - N1A	1/2" × 3/8"	NPT 1/8	50	8.2	28	25
P - FC W4 - N2A	//	NPT 1/4	52	10	//	//
P - FC W4 - N3A	//	NPT 3/8	54	//	//	//
P - FC W4 - N4A	//	NPT 1/2	56	//	//	27
P - FC W4 - N6A	//	NPT 3/4	63	//	//	33.5
P - FC W6 - N2A	3/4" × 5/8"	NPT 1/4	62	10.9	38	33.5
P - FC W6 - N3A	//	NPT 3/8	64	14.4	//	//
P - FC W6 - N4A	//	NPT 1/2	66	16	//	//
P - FC W6 - N6A	//	NPT 3/4	70	//	//	//
P - FC W8 - N6A	1" × 7/8"	NPT 3/4	82	22	47.5	43
P - FC W8 - N8A	//	NPT 1	84	//	//	//

- Notes: 1) We can also manufacture NPT threads for mm-based tube types and Rc threads for inch-based tube types. Please contact us for more information.
 2) All sizes in the tables are reference values.
 3) "W" indicates the body width across flats.
 4) For product numbers prefixed with *, refer to "Some small-diameter fittings" on page 4.

P-FE Female elbow

Width across flats of union nut



Unit: mm

Part No.	Tube size	Thread size	(A)	B	φ E1	φ E2	F	W
mm-based tube type								
* P - FE 3 - 1A	3 × 2	Rc 1/8	23.5	22.5	2.1	2.1	12	17
* P - FE 3 - 2A	''	Rc 1/4	24.5	25.5	''	''	''	19
* P - FE 3 - 3A	''	Rc 3/8	26	29	''	''	''	22
* P - FE 4 - 1A	4 × 3	Rc 1/8	23	22.5	3.1	3.1	12	17
* P - FE 4 - 2A	''	Rc 1/4	24	25.5	''	''	''	19
P - FE 6 - 1A	6 × 4	Rc 1/8	27.5	21.5	4	4	16	17
P - FE 6 - 2A	''	Rc 1/4	28.5	23.5	''	''	''	19
P - FE 6 - 3A	''	Rc 3/8	30	25.5	''	''	''	22
P - FE 8 - 1A	8 × 6	Rc 1/8	30.5	23	6	6	19	18
P - FE 8 - 2A	''	Rc 1/4	31.5	25	''	''	''	19
P - FE 8 - 3A	''	Rc 3/8	33	27	''	''	''	22
P - FE 10 - 1A	10 × 8	Rc 1/8	33.5	24.5	8	8	23	21
P - FE 10 - 2A	''	Rc 1/4	34.5	26.5	''	''	''	''
P - FE 10 - 3A	''	Rc 3/8	36	28.5	''	''	''	22
P - FE 10 - 4A	''	Rc 1/2	38.5	30.5	''	''	''	27
P - FE 12 - 1A	12 × 10	Rc 1/8	37.5	26.5	10	8.2	28	25
P - FE 12 - 2A	''	Rc 1/4	38.5	28.5	''	10	''	''
P - FE 12 - 3A	''	Rc 3/8	40	30.5	''	''	''	''
P - FE 12 - 4A	''	Rc 1/2	42.5	32.5	''	''	''	27
P - FE 12 - 6A	''	Rc 3/4	46	36.5	''	''	''	33.5
P - FE 19 - 3A	19 × 15.8	Rc 3/8	46.5	34.8	16	14.4	38	33.5
P - FE 19 - 4A	''	Rc 1/2	49.5	36.8	''	16	''	''
P - FE 19 - 6A	''	Rc 3/4	53	40.8	''	''	''	''
P - FE 19 - 8A	''	Rc 1	57.5	42.8	''	''	''	43
P - FE 25 - 6A	25 × 22	Rc 3/4	60	45.5	22	22	47.5	43
P - FE 25 - 8A	''	Rc 1	64.5	47.5	''	''	''	''

Unit: mm

Inch-based tube type								
* P - FE W1 - N1A	1/8" × 0.086"	NPT 1/8	23.5	22.5	2.1	2.1	12	17
* P - FE W1 - N2A	''	NPT 1/4	24.5	25.5	''	''	''	19
* P - FE W1 - N3A	''	NPT 3/8	26	29	''	''	''	22
P - FE W2 - N1A	1/4" × 5/32"	NPT 1/8	27.5	21.5	4	4	16	17
P - FE W2 - N2A	''	NPT 1/4	28.5	23.5	''	''	''	19
P - FE W2 - N3A	''	NPT 3/8	30	25.5	''	''	''	22
P - FE W3 - N1A	3/8" × 1/4"	NPT 1/8	33.5	24.5	8	8	23	21
P - FE W3 - N2A	''	NPT 1/4	34.5	26.5	''	''	''	''
P - FE W3 - N3A	''	NPT 3/8	36	28.5	''	''	''	22
P - FE W3 - N4A	''	NPT 1/2	38.5	30.5	''	''	''	27
P - FE W4 - N1A	1/2" × 3/8"	NPT 1/8	37.5	26.5	10	8.2	28	25
P - FE W4 - N2A	''	NPT 1/4	38.5	28.5	''	10	''	''
P - FE W4 - N3A	''	NPT 3/8	40	30.5	''	''	''	''
P - FE W4 - N4A	''	NPT 1/2	42.5	32.5	''	''	''	27
P - FE W4 - N6A	''	NPT 3/4	46	36.5	''	''	''	33.5
P - FE W6 - N3A	3/4" × 5/8"	NPT 3/8	47	34.8	16	14.4	38	33.5
P - FE W6 - N4A	''	NPT 1/2	49.5	36.8	''	16	''	''
P - FE W6 - N6A	''	NPT 3/4	53	40.8	''	''	''	''
P - FE W6 - N8A	''	NPT 1	57.5	42.8	''	''	''	43
P - FE W8 - N6A	1" × 7/8"	NPT 3/4	60	45.5	22	22	47.5	43
P - FE W8 - N8A	''	NPT 1	64.5	47.5	''	''	''	''

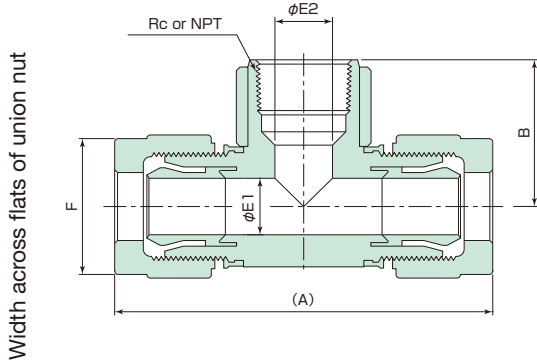
Notes: 1) We can also manufacture NPT threads for mm-based tube types and Rc threads for inch-based tube types. Please contact us for more information.

2) All sizes in the tables are reference values.

3) "W" indicates the body width across flats.

4) For product numbers prefixed with *, refer to "Some small-diameter fittings" on page 4.

P-FBT Female branch tee



Unit: mm

Part No.	Tube size	Thread size	(A)	B	φ E1	φ E2	F	W
mm-based tube type								
* P - FBT 3 - 1A	3 × 2	Rc 1/8	46.5	22.5	2.1	6	12	17
* P - FBT 3 - 2A	''	Rc 1/4	48.5	25.5	''	8	''	19
* P - FBT 4 - 1A	4 × 3	Rc 1/8	46.5	22.5	3.1	6	12	17
* P - FBT 4 - 2A	''	Rc 1/4	48.5	25.5	''	8	''	19
P - FBT 6 - 1A	6 × 4	Rc 1/8	55	21.5	4	4	16	17
P - FBT 6 - 2A	''	Rc 1/4	57	23.5	''	''	''	19
P - FBT 6 - 3A	''	Rc 3/8	60	25.5	''	''	''	22
P - FBT 8 - 1A	8 × 6	Rc 1/8	61	23	6	6	19	18
P - FBT 8 - 2A	''	Rc 1/4	63	25	''	''	''	19
P - FBT 8 - 3A	''	Rc 3/8	66	27	''	''	''	22
P - FBT 10 - 1A	10 × 8	Rc 1/8	67	24.5	8	8	23	21
P - FBT 10 - 2A	''	Rc 1/4	69	26.5	''	''	''	''
P - FBT 10 - 3A	''	Rc 3/8	72	28.5	''	''	''	22
P - FBT 10 - 4A	''	Rc 1/2	77	30.5	''	''	''	27
P - FBT 12 - 2A	12 × 10	Rc 1/4	77	28.5	10	10	28	25
P - FBT 12 - 3A	''	Rc 3/8	80	30.5	''	''	''	''
P - FBT 12 - 4A	''	Rc 1/2	85	32.5	''	''	''	27
P - FBT 12 - 6A	''	Rc 3/4	91.5	36.5	''	''	''	33.5
P - FBT 19 - 2A	19 × 15.8	Rc 1/4	91	32.8	16	10.9	38	33.5
P - FBT 19 - 3A	''	Rc 3/8	94	34.8	''	14.4	''	''
P - FBT 19 - 4A	''	Rc 1/2	99	36.8	''	16	''	''
P - FBT 19 - 6A	''	Rc 3/4	105.5	40.8	''	''	''	''
P - FBT 19 - 8A	''	Rc 1	115	42.8	''	''	''	43
P - FBT 25 - 4A	25 × 22	Rc 1/2	113	41.5	22	10	47.5	43
P - FBT 25 - 6A	''	Rc 3/4	119.5	45.5	''	22	''	''
P - FBT 25 - 8A	''	Rc 1	129	47.5	''	''	''	''

Unit: mm

Inch-based tube type								
* P - FBT W1 - N1A	1/8" × 0.086"	NPT 1/8	46.5	22.5	2.1	6	12	17
* P - FBT W1 - N2A	''	NPT 1/4	48.5	25.5	''	8	''	19
P - FBT W2 - N1A	1/4" × 5/32"	NPT 1/8	55	21.5	4	4	16	17
P - FBT W2 - N2A	''	NPT 1/4	57	23.5	''	''	''	19
P - FBT W2 - N3A	''	NPT 3/8	60	25.5	''	''	''	22
P - FBT W3 - N1A	3/8" × 1/4"	NPT 1/8	67	24.5	8	8	23	21
P - FBT W3 - N2A	''	NPT 1/4	69	26.5	''	''	''	''
P - FBT W3 - N3A	''	NPT 3/8	72	28.5	''	''	''	22
P - FBT W3 - N4A	''	NPT 1/2	77	30.5	''	''	''	27
P - FBT W4 - N2A	1/2" × 3/8"	NPT 1/4	77	28.5	10	10	28	25
P - FBT W4 - N3A	''	NPT 3/8	80	30.5	''	''	''	''
P - FBT W4 - N4A	''	NPT 1/2	85	32.5	''	''	''	27
P - FBT W4 - N6A	''	NPT 3/4	91.5	36.5	''	''	''	33.5
P - FBT W6 - N2A	3/4" × 5/8"	NPT 1/4	91	32.8	16	10.9	38	33.5
P - FBT W6 - N3A	''	NPT 3/8	94	34.8	''	14.4	''	''
P - FBT W6 - N4A	''	NPT 1/2	99	36.8	''	16	''	''
P - FBT W6 - N6A	''	NPT 3/4	105.5	40.8	''	''	''	''
P - FBT W6 - N8A	''	NPT 1	115	42.8	''	''	''	43
P - FBT W8 - N4A	1" × 7/8"	NPT 1/2	113	41.5	22	10	47.5	43
P - FBT W8 - N6A	''	NPT 3/4	119.5	45.5	''	22	''	''
P - FBT W8 - N8A	''	NPT 1	129	47.5	''	''	''	''

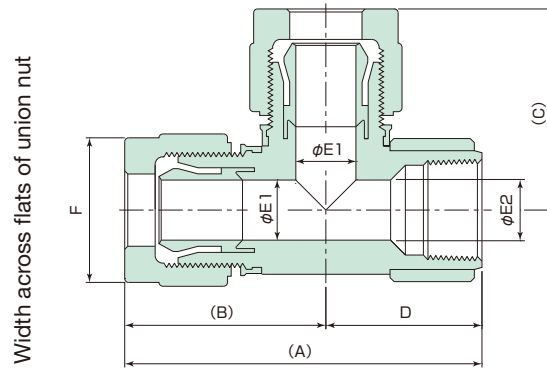
Notes: 1) We can also manufacture NPT threads for mm-based tube types and Rc threads for inch-based tube types. Please contact us for more information.

2) All sizes in the tables are reference values.

3) "W" indicates the body width across flats.

4) For product numbers prefixed with *, refer to "Some small-diameter fittings" on page 4.

P-FRT Female run tee



Unit: mm

Part No.	Tube size	Thread size	(A)	(B)	(C)	D	φ E1	φ E2	F	W
mm-based tube type										
* P - FRT 3 - 1A	3 × 2	Rc 1/8	46	23.5	23.5	22.5	2.1	6	12	17
* P - FRT 3 - 2A	''	Rc 1/4	50	24.5	24.5	25.5	''	8	''	19
* P - FRT 4 - 1A	4 × 3	Rc 1/8	45.5	23	23	22.5	3.1	6	12	17
* P - FRT 4 - 2A	''	Rc 1/4	49.5	24	24	25.5	''	8	''	19
P - FRT 6 - 1A	6 × 4	Rc 1/8	48	26.5	27.5	21.5	4	4	16	17
P - FRT 6 - 2A	''	Rc 1/4	50	''	28.5	23.5	''	''	''	19
P - FRT 6 - 3A	''	Rc 3/8	52	''	30	25.5	''	''	''	22
P - FRT 8 - 1A	8 × 6	Rc 1/8	54	31	31	23	6	6	19	18
P - FRT 8 - 2A	''	Rc 1/4	56	''	31.5	25	''	''	''	19
P - FRT 8 - 3A	''	Rc 3/8	58	''	33	27	''	''	''	22
P - FRT 10 - 1A	10 × 8	Rc 1/8	60	35.5	35.5	24.5	8	8	23	21
P - FRT 10 - 2A	''	Rc 1/4	62	''	''	26.5	''	''	''	''
P - FRT 10 - 3A	''	Rc 3/8	64	''	36	28.5	''	''	''	22
P - FRT 10 - 4A	''	Rc 1/2	66	''	38.5	30.5	''	''	''	27
P - FRT 12 - 2A	12 × 10	Rc 1/4	70	41.5	41.5	28.5	10	10	28	25
P - FRT 12 - 3A	''	Rc 3/8	72	''	''	30.5	''	''	''	''
P - FRT 12 - 4A	''	Rc 1/2	74	''	42.5	32.5	''	''	''	27
P - FRT 19 - 3A	19 × 15.8	Rc 3/8	87.5	53	53	34.8	16	14.4	38	33.5
P - FRT 19 - 4A	''	Rc 1/2	89.5	''	''	36.8	''	16	''	''
P - FRT 19 - 6A	''	Rc 3/4	93.5	''	''	40.8	''	''	''	''
P - FRT 25 - 4A	25 × 22	Rc 1/2	106	64.5	64.5	41.5	22	17.9	47.5	43
P - FRT 25 - 6A	''	Rc 3/4	110	''	''	45.5	''	22	''	''
P - FRT 25 - 8A	''	Rc 1	112	''	''	47.5	''	''	''	''

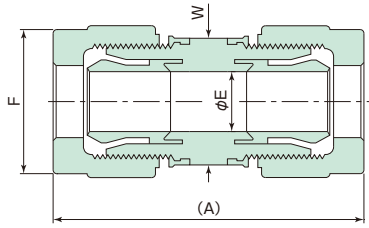
Unit: mm

Inch-based tube type										
* P - FRT W1 - N1A	1/8" × 0.086"	NPT 1/8	46	23.5	23.5	22.5	2.1	6	12	17
* P - FRT W1 - N2A	''	NPT 1/4	50	24.5	24.5	25.5	''	8	''	19
P - FRT W2 - N1A	1/4" × 5/32"	NPT 1/8	48	26.5	27.5	21.5	4	4	16	17
P - FRT W2 - N2A	''	NPT 1/4	50	''	28.5	23.5	''	''	''	19
P - FRT W2 - N3A	''	NPT 3/8	52	''	30	25.5	''	''	''	22
P - FRT W3 - N1A	3/8" × 1/4"	NPT 1/8	60	35.5	35.5	24.5	8	8	23	21
P - FRT W3 - N2A	''	NPT 1/4	62	''	''	26.5	''	''	''	''
P - FRT W3 - N3A	''	NPT 3/8	64	''	36	28.5	''	''	''	22
P - FRT W3 - N4A	''	NPT 1/2	66	''	38.5	30.5	''	''	''	27
P - FRT W4 - N2A	1/2" × 3/8"	NPT 1/4	70	41.5	41.5	28.5	10	10	28	25
P - FRT W4 - N3A	''	NPT 3/8	72	''	''	30.5	''	''	''	''
P - FRT W4 - N4A	''	NPT 1/2	74	''	42.5	32.5	''	''	''	27
P - FRT W6 - N3A	3/4" × 5/8"	NPT 3/8	87.5	53	53	34.8	16	14.4	38	33.5
P - FRT W6 - N4A	''	NPT 1/2	89.5	''	''	36.8	''	16	''	''
P - FRT W6 - N6A	''	NPT 3/4	93.5	''	''	40.8	''	''	''	''
P - FRT W8 - N4A	1" × 7/8"	NPT 1/2	106	64.5	64.5	41.5	22	17.9	47.5	43
P - FRT W8 - N6A	''	NPT 3/4	110	''	''	45.5	''	22	''	''
P - FRT W8 - N8A	''	NPT 1	112	''	''	47.5	''	''	''	''

- Notes: 1) We can also manufacture NPT threads for mm-based tube types and Rc threads for inch-based tube types. Please contact us for more information.
 2) All sizes in the tables are reference values.
 3) "W" indicates the body width across flats.
 4) For product numbers prefixed with *, refer to "Some small-diameter fittings" on page 4.

P-U Union

Width across flats of union nut



Unit: mm

Part No.	Tube size	(A)	ϕE	F	W
mm-based tube type					
* P - U - 3B	3 × 2	36.5	2.1	12	12
* P - U - 4B	4 × 3	36.5	3.1	12	12
P - U - 6B	6 × 4	45	4	16	15
P - U - 8B	8 × 6	51	6	19	18
P - U - 10B	10 × 8	57	8	23	21
P - U - 12B	12 × 10	65	10	28	25
P - U - 19B	19 × 15.8	82	16	38	33.5
P - U - 25B	25 × 22	101	22	47.5	43

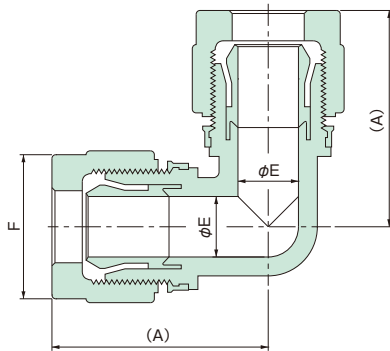
Unit: mm

Part No.	Tube size	(A)	ϕE	F	W
Inch-based tube type					
* P - U - W1B	1/8" × 0.086"	36.5	2.1	12	12
P - U - W2B	1/4" × 5/32"	45	4	16	15
P - U - W3B	3/8" × 1/4"	57	8	23	21
P - U - W4B	1/2" × 3/8"	65	10	28	25
P - U - W6B	3/4" × 5/8"	82	16	38	33.5
P - U - W8B	1" × 7/8"	101	22	47.5	43

Note: P-U-W6B = P-U-19B

P-UE Union elbow

Width across flats of union nut



Unit: mm

Part No.	Tube size	(A)	ϕE	F	W
mm-based tube type					
* P - UE - 3B	3 × 2	23	2.1	12	8
* P - UE - 4B	4 × 3	22.5	3.1	12	8
P - UE - 6B	6 × 4	30	4	16	10
P - UE - 8B	8 × 6	34.5	6	19	13
P - UE - 10B	10 × 8	39.5	8	23	15
P - UE - 12B	12 × 10	45.5	10	28	18
P - UE - 19B	19 × 15.8	57	16	38	27
P - UE - 25B	25 × 22	69.5	22	47.5	34

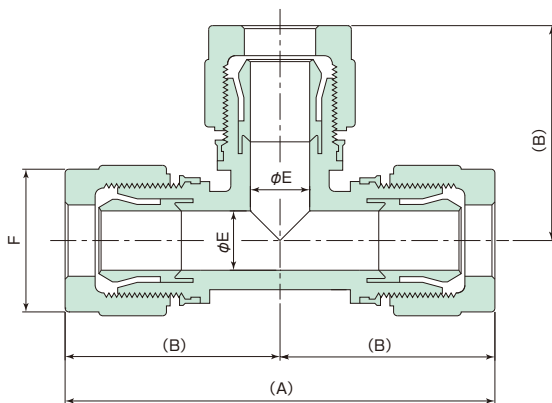
Unit: mm

Part No.	Tube size	(A)	ϕE	F	W
Inch-based tube type					
* P - UE - W1B	1/8" × 0.086"	23	2.1	12	8
P - UE - W2B	1/4" × 5/32"	30	4	16	10
P - UE - W3B	3/8" × 1/4"	39.5	8	23	15
P - UE - W4B	1/2" × 3/8"	45.5	10	28	18
P - UE - W6B	3/4" × 5/8"	57	16	38	27
P - UE - W8B	1" × 7/8"	69.5	22	47.5	34

Note: P-UE-W6B = P-UE-19B

P-UT Union tee

Width across flats of union nut



Unit: mm

Part No.	Tube size	(A)	(B)	ϕE	F	W
mm-based tube type						
* P - UT - 3B	3 × 2	45.5	23	2.1	12	8
* P - UT - 4B	4 × 3	45.5	22.5	3.1	12	8
P - UT - 6B	6 × 4	60	30	4	16	10
P - UT - 8B	8 × 6	69	34.5	6	19	13
P - UT - 10B	10 × 8	79	39.5	8	23	15
P - UT - 12B	12 × 10	91	45.5	10	28	18
P - UT - 19B	19 × 15.8	114	57	16	38	27
P - UT - 25B	25 × 22	139	69.5	22	47.5	34

Unit: mm

Part No.	Tube size	(A)	(B)	ϕE	F	W
Inch-based tube type						
* P - UT - W1B	1/8" × 0.086"	45.5	23	2.1	12	8
P - UT - W2B	1/4" × 5/32"	60	30	4	16	10
P - UT - W3B	3/8" × 1/4"	79	39.5	8	23	15
P - UT - W4B	1/2" × 3/8"	91	45.5	10	28	18
P - UT - W6B	3/4" × 5/8"	114	57	16	38	27
P - UT - W8B	1" × 7/8"	139	69.5	22	47.5	34

Note: P-UT-W6B = P-UT-19B

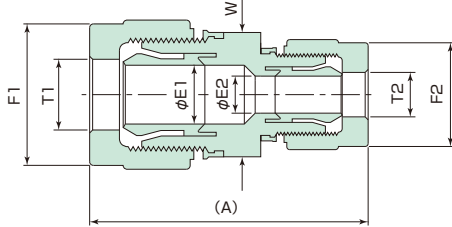
Notes: 1) All sizes in the tables are reference values.

2) "W" indicates the body width across flats.

3) For product numbers prefixed with *, refer to "Some small-diameter fittings" on page 4.

P-RU Reducing union

Width across flats of union nut



Unit: mm

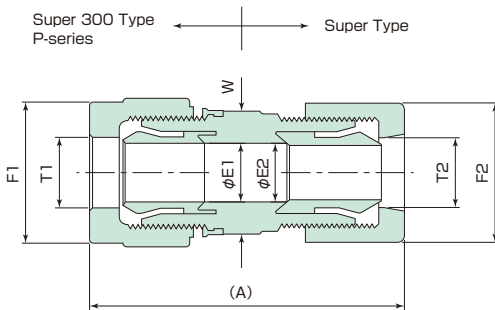
Part No.	Tube size T1	Tube size T2	(A)	φ E1	φ E2	F1	F2	W
mm-based tube type								
* P - RU 4 - 3B	4 × 3	3 × 2	36.5	3.1	2.1	12	12	12
* P - RU 6 - 3B	6 × 4	3 × 2	41	4	2.1	16	12	15
* P - RU 6 - 4B	6 × 4	4 × 3	40.5	4	3.1	16	12	15
* P - RU 8 - 3B	8 × 6	3 × 2	44	6	2.1	19	12	18
P - RU 8 - 6B	8 × 6	6 × 4	48	4	4	16	16	16
* P - RU 10 - 3A	10 × 8	3 × 2	47	8	2.1	23	12	21
P - RU 10 - 6B	10 × 8	6 × 4	51	4	4	16	16	16
P - RU 10 - 8B	10 × 8	8 × 6	54	4	6	19	19	19
* P - RU 12 - 3A	12 × 10	3 × 2	51	10	2.1	28	12	25
P - RU 12 - 6B	12 × 10	6 × 4	55	4	4	16	16	16
P - RU 12 - 8B	12 × 10	8 × 6	58	4	6	19	19	19
P - RU 12 - 10B	12 × 10	10 × 8	61	4	8	23	23	23
* P - RU 19 - 3A	19 × 15.8	3 × 2	61	16	2.1	38	12	33.5
P - RU 19 - 6A	19 × 15.8	6 × 4	65	4	4	16	16	16
P - RU 19 - 8A	19 × 15.8	8 × 6	68	4	6	19	19	19
P - RU 19 - 10B	19 × 15.8	10 × 8	71	4	8	23	23	23
P - RU 19 - 12B	19 × 15.8	12 × 10	75	4	10	28	28	28
P - RU 25 - 6A	25 × 22	6 × 4	77	22	4	47.5	16	43
P - RU 25 - 10A	25 × 22	10 × 8	83	4	8	23	23	23
P - RU 25 - 12B	25 × 22	12 × 10	87	4	10	28	28	28
P - RU 25 - 19B	25 × 22	19 × 15.8	94	4	16	38	38	38

Unit: mm

Part No.	Tube size T1	Tube size T2	(A)	φ E1	φ E2	F1	F2	W
Inch-based tube type								
* P - RU W2 - W1B	1/4" × 5/32"	1/8" × 0.086"	41	4	2.1	16	12	15
* P - RU W2 - 4B	1/4" × 5/32"	4 × 3	40.5	4	3.1	16	12	15
* P - RU W3 - W1A	3/8" × 1/4"	1/8" × 0.086"	47	8	2.1	23	12	21
P - RU W3 - W2B	3/8" × 1/4"	1/4" × 5/32"	51	4	4	16	16	16
P - RU W3 - 8B	3/8" × 1/4"	8 × 6	54	4	6	19	19	19
* P - RU W4 - W1A	1/2" × 3/8"	1/8" × 0.086"	51	10	2.1	28	12	25
P - RU W4 - W2B	1/2" × 3/8"	1/4" × 5/32"	55	4	4	16	16	16
P - RU W4 - 8B	1/2" × 3/8"	8 × 6	58	4	6	19	19	19
P - RU W4 - W3B	1/2" × 3/8"	3/8" × 1/4"	61	4	8	23	23	23
* P - RU W6 - W1A	3/4" × 5/8"	1/8" × 0.086"	61	16	2.1	38	12	33.5
P - RU W6 - W2A	3/4" × 5/8"	1/4" × 5/32"	65	4	4	16	16	16
P - RU W6 - 8A	3/4" × 5/8"	8 × 6	68	4	6	19	19	19
P - RU W6 - W3B	3/4" × 5/8"	3/8" × 1/4"	71	4	8	23	23	23
P - RU W6 - W4B	3/4" × 5/8"	1/2" × 3/8"	75	4	10	28	28	28
P - RU W8 - W2A	1" × 7/8"	1/4" × 5/32"	77	22	4	47.5	16	43
P - RU W8 - W3A	1" × 7/8"	3/8" × 1/4"	83	4	8	23	23	23
P - RU W8 - W4B	1" × 7/8"	1/2" × 3/8"	87	4	10	28	28	28
P - RU W8 - W6B	1" × 7/8"	3/4" × 5/8"	94	4	16	38	38	38

- Notes: 1) P-RU W6-8A = P-RU 19-8A
 2) We can also manufacture a combination of mm-based tubes and inch-based tubes. Please contact us for more information.
 3) All sizes in the tables are reference values.
 4) "W" indicates the body width across flats.
 5) For product numbers prefixed with *, refer to "Some small-diameter fittings" on page 4.

Width across flats of union nut



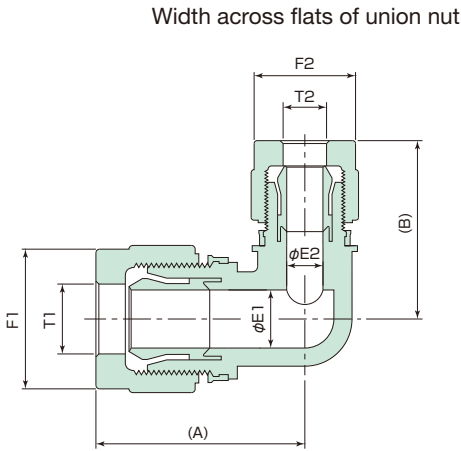
Unit: mm

Part No.	Super 300 Type P-series Tube size T1	Super Type Tube size T2	(A)	φ E1	φ E2	F1	F2	W
mm-based tube type								
P - RU 6 - S6A	6 × 4	6 × 4	45.5	4	4.4	16	16	15
P - RU 10 - S10A	10 × 8	10 × 8	58.5	8	8	23	22	21
P - RU 12 - S12A	12 × 10	12 × 10	66	10	10	28	27	25
P - RU 19 - S19A	19 × 15.8	19 × 15.8	85.5	16	16	38	38	34
P - RU 25 - S25A	25 × 22	25 × 22	103	22	24.6	47.5	50	44
Inch-based tube type								
P - RU W2 - SW2A	1/4" × 5/32"	1/4" × 5/32"	45.5	4	4.4	16	16	15
P - RU W3 - SW3A	3/8" × 1/4"	3/8" × 1/4"	58.5	8	8	23	22	21
P - RU W4 - SW4A	1/2" × 3/8"	1/2" × 3/8"	66	10	10	28	27	25
P - RU W6 - SW6A	3/4" × 5/8"	3/4" × 5/8"	85.5	16	16	38	38	34
P - RU W8 - SW8A	1" × 7/8"	1" × 7/8"	103	22	24.6	47.5	50	44

- Notes: 1) P-RU W6-SW6A = P-RU 19-S19A
 2) The products shown above are fittings for converting from Super Type Fitting to Super 300 Type PILLAR Fitting P-series.
 3) We can also manufacture a combination of mm-based tubes and inch-based tubes. Please contact us for more information.
 4) All sizes in the tables are reference values.
 5) "W" indicates the body width across flats.

P-RUE Reducing union elbow

Width across flats of union nut



Width across flats of union nut

Unit: mm

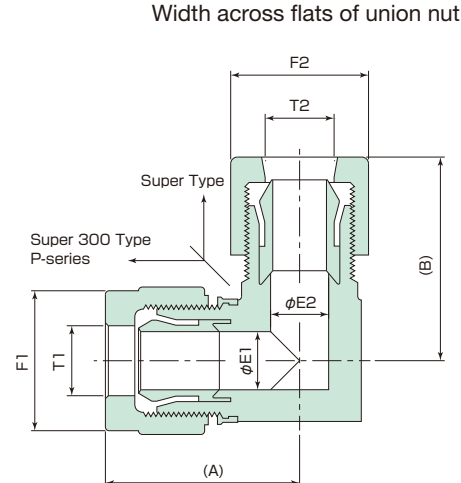
Part No.	Tube size T1	Tube size T2	(A)	(B)	φ E1	φ E2	F1	F2	W
mm-based tube type									
* P - RUE 4 - 3B	4 × 3	3 × 2	22.5	23	3.1	2.1	12	12	8
* P - RUE 6 - 3B	6 × 4	3 × 2	30	26	4	2.1	16	12	10
* P - RUE 6 - 4B	6 × 4	4 × 3	25.5	25.5	3.1	3.1	12	12	11
P - RUE 8 - 6B	8 × 6	6 × 4	34.5	31.5	6	4	19	16	13
P - RUE 10 - 6B	10 × 8	6 × 4	39.5	33	8	4	23	16	15
P - RUE 10 - 8B	10 × 8	8 × 6	36	36	6	6	19	19	11
* P - RUE 12 - 3A	12 × 10	3 × 2	34	27.5	10	2.1	28	12	25
P - RUE 12 - 6B	12 × 6	6 × 4	45.5	35	4	4	16	16	18
P - RUE 12 - 8B	12 × 6	8 × 6	38	38	6	6	19	19	11
P - RUE 12 - 10B	12 × 10	10 × 8	41.5	41.5	8	8	23	23	11
* P - RUE 19 - 4A	19 × 15.8	4 × 3	41	31.5	16	3.1	38	12	33.5
P - RUE 19 - 6B	19 × 6	6 × 4	57	39	4	4	16	16	27
P - RUE 19 - 8B	19 × 6	8 × 6	42	42	6	6	19	19	11
P - RUE 19 - 10B	19 × 10	10 × 8	45.5	45.5	8	8	23	23	11
P - RUE 19 - 12B	19 × 12	12 × 10	49.5	49.5	10	10	28	28	11
P - RUE 25 - 6B	25 × 22	6 × 4	69.5	44	22	4	47.5	16	34
P - RUE 25 - 8B	25 × 6	8 × 6	47	47	6	6	19	19	11
P - RUE 25 - 10B	25 × 10	10 × 8	50.5	50.5	8	8	23	23	11
P - RUE 25 - 12B	25 × 12	12 × 10	54.5	54.5	10	10	28	28	11
P - RUE 25 - 19B	25 × 19	19 × 15.8	62	62	16	16	38	38	11

Unit: mm

Inch-based tube type									
* P - RUE W2 - W1B	1/4" × 5/32"	1/8" × 0.086"	30	26	4	2.1	16	12	10
P - RUE W3 - W2B	3/8" × 1/4"	1/4" × 5/32"	39.5	33	8	4	23	16	15
P - RUE W3 - 8B	3/8" × 3/8"	8 × 6	36	36	6	6	19	19	11
* P - RUE W4 - W1A	1/2" × 3/8"	1/8" × 0.086"	34	27.5	10	2.1	28	12	25
P - RUE W4 - W2B	1/2" × 1/4"	1/4" × 5/32"	45.5	35	4	4	16	16	18
P - RUE W4 - 8B	1/2" × 3/8"	8 × 6	38	38	6	6	19	19	11
P - RUE W4 - W3B	1/2" × 3/8"	3/8" × 1/4"	41.5	41.5	8	8	23	23	11
P - RUE W6 - W2B	3/4" × 5/8"	1/4" × 5/32"	57	39	16	4	38	16	27
P - RUE W6 - 8B	3/4" × 3/8"	8 × 6	42	42	6	6	19	19	11
P - RUE W6 - W3B	3/4" × 3/8"	3/8" × 1/4"	45.5	45.5	8	8	23	23	11
P - RUE W6 - W4B	3/4" × 3/8"	1/2" × 3/8"	49.5	49.5	10	10	28	28	11
P - RUE W8 - W2B	1" × 7/8"	1/4" × 5/32"	69.5	44	22	4	47.5	16	34
P - RUE W8 - 8B	1" × 3/8"	8 × 6	47	47	6	6	19	19	11
P - RUE W8 - W3B	1" × 3/8"	3/8" × 1/4"	50.5	50.5	8	8	23	23	11
P - RUE W8 - W4B	1" × 3/8"	1/2" × 3/8"	54.5	54.5	10	10	28	28	11
P - RUE W8 - W6B	1" × 3/8"	3/4" × 5/8"	62	62	16	16	38	38	11

- Notes: 1) P-RUE W6-8B = P-RUE 19-8B
 2) We can also manufacture a combination of mm-based tubes and inch-based tubes. Please contact us for more information.
 3) All sizes in the tables are reference values.
 4) "W" indicates the body width across flats.
 5) For product numbers prefixed with *, refer to "Some small-diameter fittings" on page 4.

Width across flats of union nut



Width across flats of union nut

Unit: mm

Part No.	Super 300 Type P-series Tube size T1	Super Type Tube size T2	(A)	(B)	φ E1	φ E2	F1	F2	W
mm-based tube type									
P - RUE 6 - S6A	6 × 4	6 × 4	26.5	27	4	4.4	16	16	15
P - RUE 10 - S10A	10 × 8	10 × 8	35.5	37	8	8	23	22	21
P - RUE 12 - S12A	12 × 10	12 × 10	41.5	42.5	10	10	28	27	25
P - RUE 19 - S19A	19 × 15.8	19 × 15.8	53	56.5	16	16	38	38	34
P - RUE 19 - S25A	19 × 25	25 × 22	58	62	24.6	24.6	50	50	44
P - RUE 25 - S25A	25 × 22	25 × 22	65	67	22	24.6	47.5	50	44

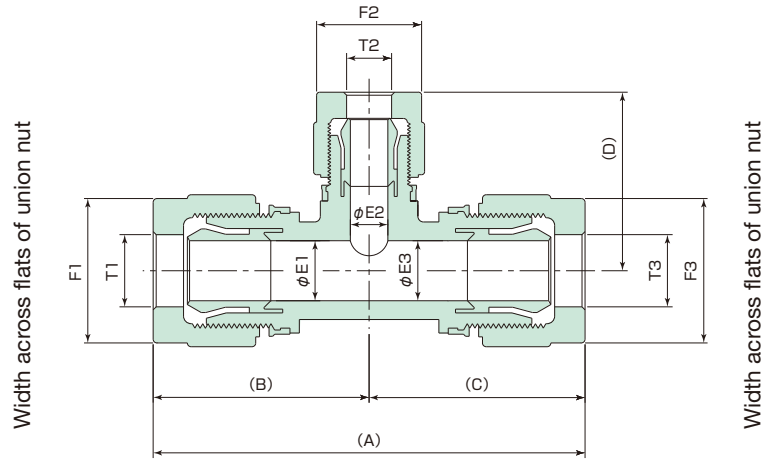
Unit: mm

Inch-based tube type									
P - RUE W2 - SW2A	1/4" × 5/32"	1/4" × 5/32"	26.5	27	4	4.4	16	16	15
P - RUE W3 - SW3A	3/8" × 1/4"	3/8" × 1/4"	35.5	37	8	8	23	22	21
P - RUE W4 - SW4A	1/2" × 3/8"	1/2" × 3/8"	41.5	42.5	10	10	28	27	25
P - RUE W6 - SW6A	3/4" × 5/8"	3/4" × 5/8"	53	56.5	16	16	38	38	34
P - RUE W6 - SW8A	1" × 7/8"	1" × 7/8"	58	62	24.6	24.6	50	50	44
P - RUE W8 - SW8A	1" × 7/8"	1" × 7/8"	65	67	22	24.6	47.5	50	44

- Notes: 1) P-RUE W6-SW6A = P-RUE 19-S19A
 2) The products shown above are fittings for converting from Super Type Fitting to Super 300 Type PILLAR Fitting P-series.
 3) We can also manufacture a combination of mm-based tubes and inch-based tubes. Please contact us for more information.
 4) All sizes in the tables are reference values.
 5) "W" indicates the body width across flats.

P-RUT Reducing union tee mm-based tube type

Width across flats of union nut



Unit: mm

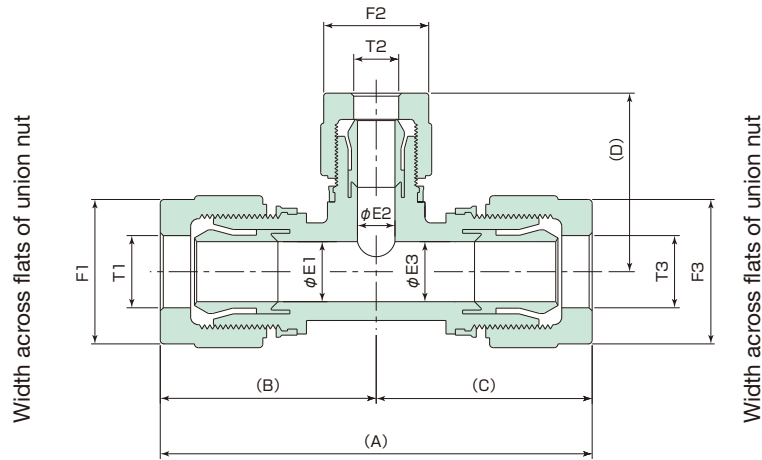
Part No.	Tube size T1	Tube size T2	Tube size T3	(A)	(B)	(C)	(D)	φ E1	φ E2	φ E3	F1	F2	F3	W
mm-based tube type														
* P - RUT 3 - 4 - 3B	3 × 2	4 × 3	3 × 2	45.5	23	23	22.5	2.1	3.1	2.1	12	12	12	8
* P - RUT 3 - 6 - 3B	//	6 × 4	//	51.5	26	26	30	//	4	//	//	16	//	10
* P - RUT 3 - 12 - 3A	//	12 × 10	//	54.5	27.5	27.5	34	//	10	//	//	28	//	25
* P - RUT 4 - 3 - 4B	4 × 3	3 × 2	4 × 3	45.5	22.5	22.5	23	3.1	2.1	3.1	12	12	12	8
* P - RUT 4 - 6 - 4B	//	6 × 4	//	51.5	25.5	25.5	30	//	4	//	//	16	//	10
* P - RUT 6 - 3 - 6B	6 × 4	3 × 2	6 × 4	60	30	30	26	4	2.1	4	16	12	16	10
* P - RUT 6 - 4 - 6B	//	4 × 3	//	//	//	//	25.5	//	3.1	//	//	//	//	//
P - RUT 6 - 8 - 6A	//	8 × 6	//	56	28	28	29.5	//	6	//	//	19	//	18
P - RUT 6 - 10 - 6B	//	10 × 8	//	66	33	33	39.5	//	8	//	//	23	//	15
P - RUT 6 - 12 - 6A	//	12 × 10	//	63	31.5	31.5	36.5	//	10	//	//	28	//	25
P - RUT 6 - 25 - 6A	//	25 × 22	//	81	40.5	40.5	50.5	//	22	//	//	47.5	//	43
P - RUT 8 - 6 - 6B	8 × 6	6 × 4	6 × 4	66	34.5	31.5	31.5	6	4	4	19	16	16	13
P - RUT 8 - 6 - 8B	//	//	8 × 6	69	//	34.5	//	//	//	6	//	//	19	//
P - RUT 8 - 8 - 6B	//	8 × 6	6 × 4	66	//	31.5	34.5	//	6	4	//	19	16	//
* P - RUT 10 - 3 - 10A	10 × 8	3 × 2	10 × 8	60	30	30	25.5	8	2.1	8	23	12	23	21
P - RUT 10 - 6 - 6B	//	6 × 4	6 × 4	72.5	39.5	33	33	//	4	4	//	16	16	15
P - RUT 10 - 6 - 10B	//	//	10 × 8	79	//	39.5	//	//	//	8	//	//	23	//
P - RUT 10 - 8 - 8A	//	8 × 6	8 × 6	65	34	31	32.5	//	6	6	//	19	19	21
P - RUT 10 - 8 - 10B	//	//	10 × 8	79	39.5	39.5	36	//	//	8	//	//	23	15
P - RUT 10 - 10 - 6B	//	10 × 8	6 × 4	72.5	//	33	39.5	//	8	4	//	23	16	//
P - RUT 10 - 12 - 10B	//	12 × 10	10 × 8	83	41.5	41.5	45.5	//	10	8	//	28	23	18
P - RUT 10 - 19 - 10A	//	19 × 15.8	//	83.5	42	42	46.5	//	16	//	//	38	//	33.5
* P - RUT 12 - 3 - 12A	12 × 10	3 × 2	12 × 10	68	34	34	27.5	10	2.1	10	28	12	28	25
P - RUT 12 - 6 - 6B	//	6 × 4	6 × 4	80.5	45.5	35	35	//	4	4	//	16	16	18
P - RUT 12 - 6 - 10A	//	//	10 × 8	69	36.5	32.5	31.5	//	//	8	//	//	23	25
P - RUT 12 - 6 - 12B	//	//	12 × 10	91	45.5	45.5	35	//	//	10	//	//	28	18
P - RUT 12 - 8 - 12B	//	8 × 6	//	//	//	//	38	//	6	//	//	19	//	//
P - RUT 12 - 10 - 6A	//	10 × 8	6 × 4	69	39.5	29.5	37.5	//	8	4	//	23	16	25
P - RUT 12 - 10 - 10B	//	//	10 × 8	87	45.5	41.5	41.5	//	//	8	//	//	23	18
P - RUT 12 - 10 - 12B	//	//	12 × 10	91	//	45.5	//	//	//	10	//	//	28	//
P - RUT 12 - 12 - 6B	//	12 × 10	6 × 4	80.5	//	35	45.5	//	10	4	//	28	16	//
P - RUT 12 - 12 - 10A	//	//	10 × 8	79	41.5	37.5	41.5	//	//	8	//	//	23	25
P - RUT 12 - 19 - 10A	//	19 × 15.8	//	87.5	46	42	48.5	//	16	//	//	38	//	33.5
P - RUT 12 - 19 - 12B	//	//	12 × 10	99	49.5	49.5	57	//	//	10	//	//	28	27
P - RUT 12 - 25 - 12A	//	25 × 22	//	101	50.5	50.5	55.5	//	22	//	//	47.5	//	43

(Continued on next page)

- Notes: 1) We can also manufacture a combination of mm-based tubes and inch-based tubes. Please contact us for more information.
- 2) All sizes in the tables are reference values.
- 3) "W" indicates the body width across flats.
- 4) For product numbers prefixed with *, refer to "Some small-diameter fittings" on page 4.

P-RUT Reducing union tee mm-based tube type

Width across flats of union nut

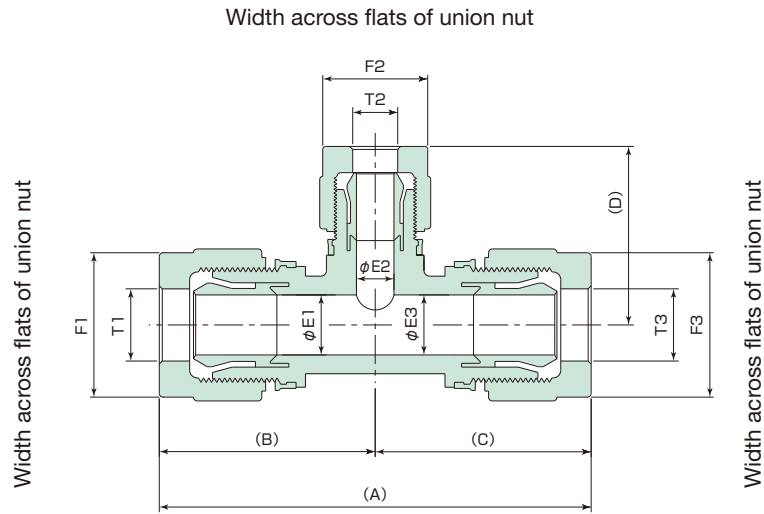


Unit: mm

Part No.	Tube size T1	Tube size T2	Tube size T3	(A)	(B)	(C)	(D)	φE1	φE2	φE3	F1	F2	F3	W
mm-based tube type														
* P - RUT 19 - 3 - 19A	19 × 15.8	3 × 2	19 × 15.8	82	41	41	31.5	16	2.1	16	38	12	38	33.5
* P - RUT 19 - 4 - 19A	19	4 × 3	19	80	43.5	36.5	36	16	3.1	16	38	12	38	33.5
P - RUT 19 - 6 - 12A	19	6 × 4	12 × 10	80	43.5	36.5	36	16	4	10	16	16	28	19
P - RUT 19 - 6 - 19B	19	6 × 4	19 × 15.8	114	57	57	39	16	6	16	19	16	38	27
P - RUT 19 - 8 - 19B	19	8 × 6	19 × 15.8	114	57	57	42	16	6	16	19	16	38	27
P - RUT 19 - 10 - 6A	19	10 × 8	6 × 4	76	46.5	29.5	29.5	16	8	4	23	16	33.5	19
P - RUT 19 - 10 - 10A	19	10 × 8	10 × 8	82	46.5	35.5	35.5	16	8	8	23	16	33.5	19
P - RUT 19 - 10 - 19B	19	10 × 8	19 × 15.8	114	57	57	45.5	16	8	16	19	16	38	27
P - RUT 19 - 12 - 10A	19	12 × 10	10 × 8	86	48.5	37.5	46	16	10	8	28	23	33.5	19
P - RUT 19 - 12 - 12B	19	12 × 10	12 × 10	106.5	57	49.5	49.5	16	10	10	28	23	28	27
P - RUT 19 - 12 - 19B	19	12 × 10	19 × 15.8	114	57	57	49.5	16	10	16	19	16	38	27
P - RUT 19 - 19 - 6B	19	19 × 15.8	6 × 4	96	57	39	57	16	16	4	38	16	16	19
P - RUT 19 - 19 - 8B	19	19 × 15.8	8 × 6	99	57	42	57	16	16	4	38	16	16	19
P - RUT 19 - 19 - 10B	19	19 × 15.8	10 × 8	102.5	57	45.5	57	16	16	4	38	16	16	19
P - RUT 19 - 19 - 12B	19	19 × 15.8	12 × 10	106.5	57	49.5	57	16	16	4	38	16	16	19
P - RUT 19 - 25 - 10A	19	25 × 22	10 × 8	104	57.5	46.5	60	16	22	8	47.5	23	43	19
P - RUT 19 - 25 - 12A	19	25 × 22	12 × 10	108	57.5	50.5	60	16	22	10	47.5	23	43	19
P - RUT 19 - 25 - 19B	19	25 × 22	19 × 15.8	124	62	62	69.5	16	22	16	38	16	34	19
P - RUT 25 - 6 - 25B	25 × 22	6 × 4	25 × 22	139	69.5	69.5	44	22	4	22	47.5	16	47.5	34
P - RUT 25 - 8 - 25B	25	8 × 6	25	139	69.5	69.5	47	22	6	22	19	16	16	19
P - RUT 25 - 10 - 25B	25	10 × 8	25	139	69.5	69.5	50.5	22	8	22	19	16	16	19
P - RUT 25 - 12 - 12A	25	12 × 10	12 × 10	97	55.5	41.5	41.5	16	10	10	28	28	43	19
P - RUT 25 - 12 - 19A	25	12 × 10	19 × 15.8	104	55.5	48.5	41.5	16	10	16	19	16	38	19
P - RUT 25 - 12 - 25B	25	12 × 10	25 × 22	139	69.5	69.5	54.5	22	10	22	19	16	47.5	34
P - RUT 25 - 19 - 6A	25	19 × 15.8	6 × 4	95.5	60	36	57.5	16	16	4	38	16	43	19
P - RUT 25 - 19 - 10A	25	19 × 15.8	10 × 8	101.5	60	42	57.5	16	16	8	19	16	38	19
P - RUT 25 - 19 - 12A	25	19 × 15.8	12 × 10	105.5	60	46	57.5	16	16	10	19	16	38	19
P - RUT 25 - 19 - 19B	25	19 × 15.8	19 × 15.8	131.5	69.5	62	62	16	16	16	19	16	38	34
P - RUT 25 - 19 - 25B	25	19 × 15.8	25 × 22	139	69.5	69.5	62	22	16	22	19	16	47.5	19
P - RUT 25 - 25 - 6B	25	25 × 22	6 × 4	113.5	69.5	44	69.5	22	4	22	47.5	16	16	19
P - RUT 25 - 25 - 8B	25	25 × 22	8 × 6	116.5	69.5	47	69.5	22	6	22	19	16	16	19
P - RUT 25 - 25 - 10B	25	25 × 22	10 × 8	120	69.5	50.5	69.5	22	8	22	19	16	16	19
P - RUT 25 - 25 - 12B	25	25 × 22	12 × 10	124	69.5	54.5	69.5	22	10	22	19	16	16	19
P - RUT 25 - 25 - 19B	25	25 × 22	19 × 15.8	131.5	69.5	62	69.5	22	16	22	19	16	16	19

Notes: 1) We can also manufacture a combination of mm-based tubes and inch-based tubes. Please contact us for more information.
 2) All sizes in the tables are reference values.
 3) "W" indicates the body width across flats.
 4) For product numbers prefixed with *, refer to "Some small-diameter fittings" on page 4.

P-RUT Reducing union tee Inch-based tube type



Unit: mm

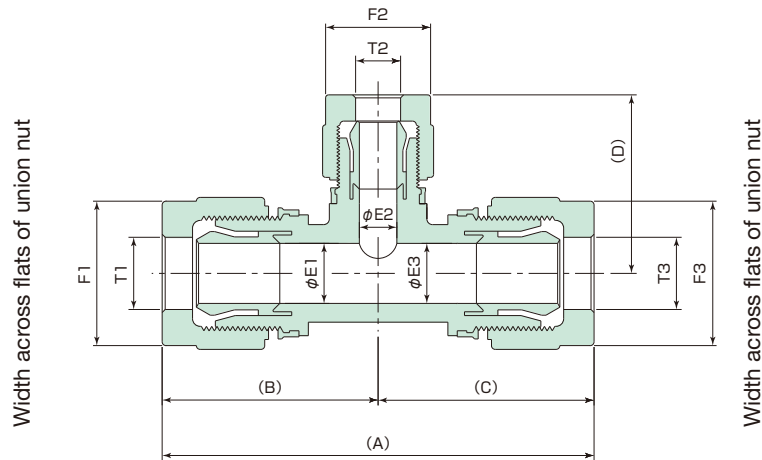
Part No.	Tube size T1	Tube size T2	Tube size T3	(A)	(B)	(C)	(D)	φ E1	φ E2	φ E3	F1	F2	F3	W
Inch-based tube type														
* P - RUT W1 - W2 - W1B	1/8" × 0.086"	1/4" × 5/32"	1/8" × 0.086"	51.5	26	26	30	2.1	4	2.1	12	16	12	10
* P - RUT W1 - W4 - W1A	//	1/2" × 3/8"	//	54.5	27.5	27.5	34	//	10	//	//	28	//	25
* P - RUT W2 - W1 - W2B	1/4" × 5/32"	1/8" × 0.086"	1/4" × 5/32"	60	30	30	26	4	2.1	4	16	12	16	10
P - RUT W2 - W3 - W2B	//	3/8" × 1/4"	//	66	33	33	39.5	//	8	//	//	23	//	15
P - RUT W2 - W4 - W2A	//	1/2" × 3/8"	//	63	31.5	31.5	36.5	//	10	//	//	28	//	25
P - RUT W2 - W8 - W2A	//	1" × 7/8"	//	81	40.5	40.5	50.5	//	22	//	//	47.5	//	43
* P - RUT W3 - W1 - W3A	3/8" × 1/4"	1/8" × 0.086"	3/8" × 1/4"	60	30	30	25.5	8	2.1	8	23	12	23	21
P - RUT W3 - W2 - W2B	//	1/4" × 5/32"	1/4" × 5/32"	72.5	39.5	33	33	//	4	4	//	16	16	15
P - RUT W3 - W2 - W3B	//	//	3/8" × 1/4"	79	//	39.5	//	//	//	8	//	//	23	//
P - RUT W3 - W3 - W2B	//	3/8" × 1/4"	1/4" × 5/32"	72.5	39.5	33	39.5	//	8	4	//	23	16	//
P - RUT W3 - W4 - W3B	//	1/2" × 3/8"	3/8" × 1/4"	83	41.5	41.5	45.5	//	10	8	//	28	23	18
P - RUT W3 - W6 - W3A	//	3/4" × 5/8"	//	83.5	42	42	46.5	//	16	//	//	38	//	33.5
* P - RUT W4 - W1 - W4A	1/2" × 3/8"	1/8" × 0.086"	1/2" × 3/8"	68	34	34	27.5	10	2.1	10	28	12	28	25
P - RUT W4 - W2 - W2B	//	1/4" × 5/32"	1/4" × 5/32"	80.5	45.5	35	35	//	4	4	//	16	16	18
P - RUT W4 - W2 - W3A	//	//	3/8" × 1/4"	69	36.5	32.5	31.5	//	//	8	//	//	23	25
P - RUT W4 - W2 - W4B	//	//	1/2" × 3/8"	91	45.5	45.5	35	//	//	10	//	//	28	18
P - RUT W4 - W3 - W2A	//	3/8" × 1/4"	1/4" × 5/32"	69	39.5	29.5	37.5	//	8	4	//	23	16	25
P - RUT W4 - W3 - W3B	//	//	3/8" × 1/4"	87	45.5	41.5	41.5	//	//	8	//	//	23	18
P - RUT W4 - W3 - W4B	//	//	1/2" × 3/8"	91	//	45.5	//	//	//	10	//	//	28	//
P - RUT W4 - W4 - W2B	//	1/2" × 3/8"	1/4" × 5/32"	80.5	//	35	45.5	//	10	4	//	28	16	//
P - RUT W4 - W4 - W3A	//	//	3/8" × 1/4"	79	41.5	37.5	41.5	//	//	8	//	//	23	25
P - RUT W4 - W6 - W3A	//	3/4" × 5/8"	3/8" × 1/4"	87.5	45.8	42	48.5	//	16	//	//	38	//	33.5
P - RUT W4 - W6 - W4B	//	//	1/2" × 3/8"	99	49.5	49.5	57	//	//	10	//	//	28	27
P - RUT W4 - W8 - W4A	//	1" × 7/8"	//	101	50.5	50.5	55.5	//	22	//	//	47.5	//	43

(Continued on next page)

- Notes: 1) We can also manufacture a combination of inch-based tubes and mm-based tubes. Please contact us for more information.
 2) All sizes in the tables are reference values.
 3) "W" indicates the body width across flats.
 4) For product numbers prefixed with *, refer to "Some small-diameter fittings" on page 4.

P-RUT Reducing union tee Inch-based tube type

Width across flats of union nut



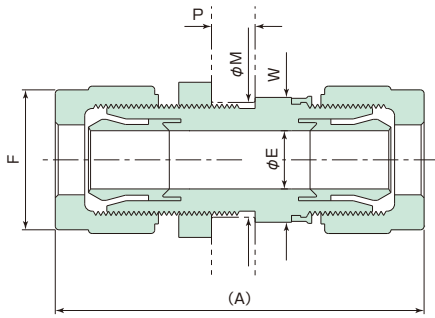
Unit: mm

Part No.	Tube size T1	Tube size T2	Tube size T3	(A)	(B)	(C)	(D)	φ E1	φ E2	φ E3	F1	F2	F3	W
Inch-based tube type														
* P - RUT W6 - W1 - W6A	3/4" × 5/8"	1/8" × 0.086"	3/4" × 5/8"	82	41	41	31.5	16	2.1	16	38	12	38	33.5
P - RUT W6 - W2 - W4A	"	1/4" × 5/32"	1/2" × 3/8"	80	43.5	36.5	36	"	4	10	"	16	28	"
P - RUT W6 - W2 - W6B	"	"	3/4" × 5/8"	114	57	57	39	"	"	16	"	"	38	27
P - RUT W6 - W3 - W2A	"	3/8" × 1/4"	1/4" × 5/32"	76	46.5	29.5	42	"	8	4	"	23	16	33.5
P - RUT W6 - W3 - W3A	"	"	3/8" × 1/4"	82	"	35.5	"	"	"	8	"	"	23	"
P - RUT W6 - W3 - W6B	"	"	3/4" × 5/8"	114	57	57	45.5	"	"	16	"	"	38	27
P - RUT W6 - W4 - W3A	"	1/2" × 3/8"	3/8" × 1/4"	86	48.5	37.5	46	"	10	8	"	28	23	33.5
P - RUT W6 - W4 - W4B	"	"	1/2" × 3/8"	106.5	57	49.5	49.5	"	"	10	"	"	28	27
P - RUT W6 - W4 - W6B	"	"	3/4" × 5/8"	114	"	57	"	"	"	16	"	"	38	"
P - RUT W6 - W6 - W2B	"	3/4" × 5/8"	1/4" × 5/32"	96	"	39	57	"	16	4	"	38	16	"
P - RUT W6 - W6 - W3B	"	"	3/8" × 1/4"	102.5	"	45.5	"	"	"	8	"	"	23	"
P - RUT W6 - W6 - W4B	"	"	1/2" × 3/8"	106.5	"	49.5	"	"	"	10	"	"	28	"
P - RUT W6 - W8 - W3A	"	1" × 7/8"	3/8" × 1/4"	104	57.5	46.5	60	"	22	8	"	47.5	23	43
P - RUT W6 - W8 - W4A	"	"	1/2" × 3/8"	108	"	50.5	"	"	"	10	"	"	28	"
P - RUT W6 - W8 - W6B	"	"	3/4" × 5/8"	124	62	62	69.5	"	"	16	"	"	38	34
P - RUT W8 - W2 - W8B	1" × 7/8"	1/4" × 5/32"	1" × 7/8"	139	69.5	69.5	44	22	4	22	47.5	16	47.5	34
P - RUT W8 - W3 - W8B	"	3/8" × 1/4"	"	"	"	"	50.5	"	8	"	"	23	"	"
P - RUT W8 - W4 - W4A	"	1/2" × 3/8"	1/2" × 3/8"	97	55.5	41.5	"	"	10	10	"	28	28	43
P - RUT W8 - W4 - W6A	"	"	3/4" × 5/8"	104	"	48.5	"	"	"	16	"	"	38	"
P - RUT W8 - W4 - W8B	"	"	1" × 7/8"	139	69.5	69.5	54.5	"	"	22	"	"	47.5	34
P - RUT W8 - W6 - W2A	"	3/4" × 5/8"	1/4" × 5/32"	95.5	60	36	57.5	"	16	4	"	38	16	43
P - RUT W8 - W6 - W3A	"	"	3/8" × 1/4"	101.5	"	42	"	"	"	8	"	"	23	"
P - RUT W8 - W6 - W4A	"	"	1/2" × 3/8"	105.5	"	46	"	"	"	10	"	"	28	"
P - RUT W8 - W6 - W6B	"	"	3/4" × 5/8"	131.5	69.5	62	62	"	"	16	"	"	38	34
P - RUT W8 - W6 - W8B	"	"	1" × 7/8"	139	"	69.5	"	"	"	22	"	"	47.5	"
P - RUT W8 - W8 - W2B	"	1" × 7/8"	1/4" × 5/32"	113.5	"	44	69.5	"	22	4	"	47.5	16	"
P - RUT W8 - W8 - W3B	"	"	3/8" × 1/4"	120	"	50.5	"	"	"	8	"	"	23	"
P - RUT W8 - W8 - W4B	"	"	1/2" × 3/8"	124	"	54.5	"	"	"	10	"	"	28	"
P - RUT W8 - W8 - W6B	"	"	3/4" × 5/8"	131.5	"	62	"	"	"	16	"	"	38	"

Notes: 1) We can also manufacture a combination of inch-based tubes and mm-based tubes. Please contact us for more information.
 2) All sizes in the tables are reference values.
 3) "W" indicates the body width across flats.
 4) For product numbers prefixed with *, refer to "Some small-diameter fittings" on page 4.

P-PMU Panel mount union

Width across flats of union nut



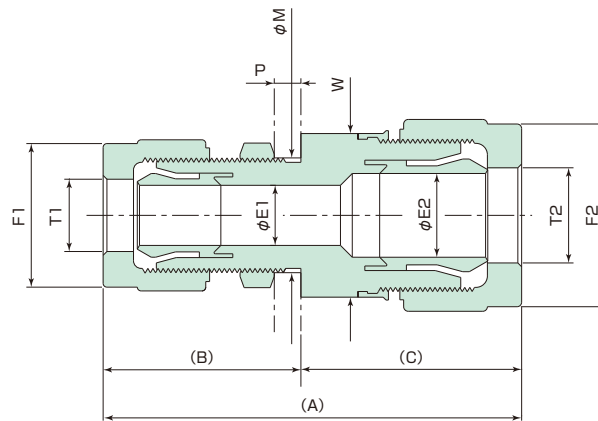
Part No.	Tube size	(A)	φ E	F	W	Panel thickness MAX P	Panel hole diameter φ M
Unit: mm							
mm-based tube type							
* P - PMU - 3B	3 × 2	48.5	2.1	12	14	7	8.5
* P - PMU - 4B	4 × 3	48.5	3.1	12	14	7	8.5
P - PMU - 6B	6 × 4	57	4	16	15	7	12.5
P - PMU - 8B	8 × 6	65	6	19	18	7	15.5
P - PMU - 10B	10 × 8	71	8	23	21	7	18.5
P - PMU - 12B	12 × 10	81	10	28	25	7	22.5
P - PMU - 19B	19 × 15.8	98	16	38	33.5	7	31
P - PMU - 25B	25 × 22	123	22	47.5	43	10	41

Part No.	Tube size	(A)	φ E	F	W	Panel thickness MAX P	Panel hole diameter φ M
Unit: mm							
Inch-based tube type							
* P - PMU - W1B	1/8" × 0.086"	48.5	2.1	12	14	7	8.5
P - PMU - W2B	1/4" × 5/32"	57	4	16	15	7	12.5
P - PMU - W3B	3/8" × 1/4"	71	8	23	21	7	18.5
P - PMU - W4B	1/2" × 3/8"	81	10	28	25	7	22.5
P - PMU - W6B	3/4" × 5/8"	98	16	38	33.5	7	31
P - PMU - W8B	1" × 7/8"	123	22	47.5	43	10	41

- Notes: 1) P-PMU-W6B = P-PMU-19B
 2) All sizes in the tables are reference values.
 3) "W" indicates the body width across flats.
 4) For product numbers prefixed with *, refer to "Some small-diameter fittings" on page 4.

P-PMRU Panel mount reducing union

Width across flats of union nut



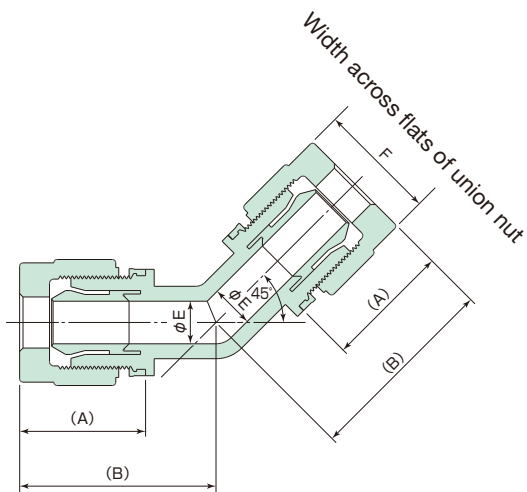
Width across flats of union nut

Part No.	Tube size T1	Tube size T2	(A)	(B)	(C)	φ E1	φ E2	F1	F2	Panel thickness MAX P	W	Panel hole diameter φ M
Unit: mm												
mm-based tube type												
* P - PMRU 3 - 4A	3 × 2	4 × 3	48.5	27	21.5	2.1	3.1	12	12	7	14	8.5
* P - PMRU 6 - 3A	6 × 4	3 × 2	53	31	22	4	2.1	16	12	7	16	12.5
P - PMRU 6 - 10A	"	10 × 8	63	"	32	"	8	"	23	"	21	"
P - PMRU 10 - 12A	10 × 8	12 × 10	75	39	36	8	10	23	28	7	27	18.5
P - PMRU 12 - 6A	12 × 10	6 × 4	71	45	26	10	4	28	16	7	27	22.5
P - PMRU 12 - 19A	"	19 × 15.8	91	"	46	"	16	"	38	"	38	"
P - PMRU 19 - 10A	19 × 15.8	10 × 8	87	52	35	16	8	38	23	7	38	31
P - PMRU 19 - 25A	"	25 × 22	110	"	58	"	22	"	47.5	"	43	"

Part No.	Tube size T1	Tube size T2	(A)	(B)	(C)	φ E1	φ E2	F1	F2	Panel thickness MAX P	W	Panel hole diameter φ M
Unit: mm												
Inch-based tube type												
* P - PMRU W2 - W1A	1/4" × 5/32"	1/8" × 0.086"	53	31	22	4	2.1	16	12	7	16	12.5
P - PMRU W2 - W3A	"	3/8" × 1/4"	63	"	32	"	8	"	23	"	21	"
P - PMRU W3 - W4A	3/8" × 1/4"	1/2" × 3/8"	75	39	36	8	10	23	28	7	27	18.5
P - PMRU W4 - W2A	1/2" × 3/8"	1/4" × 5/32"	71	45	26	10	4	28	16	7	27	22.5
P - PMRU W4 - W6A	"	3/4" × 5/8"	91	"	46	"	16	"	38	"	38	"
P - PMRU W6 - W3A	3/4" × 5/8"	3/8" × 1/4"	87	52	35	16	8	38	23	7	38	31
P - PMRU W6 - W8A	"	1" × 7/8"	110	"	58	"	22	"	47.5	"	43	"

- Notes: 1) We can also manufacture a combination of mm-based tubes and inch-based tubes. Please contact us for more information.
 2) All sizes in the tables are reference values.
 3) "W" indicates the body width across flats.
 4) For product numbers prefixed with *, refer to "Some small-diameter fittings" on page 4.

P-45UE 45° union elbow



Unit: mm

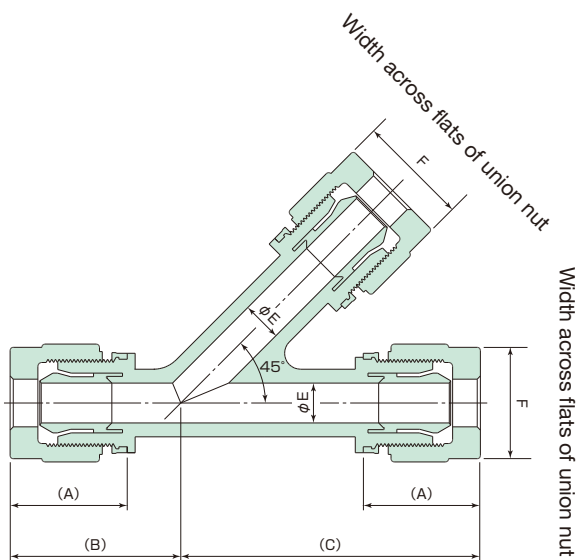
Part No.	Tube size	(A)	(B)	ϕE	F	W
mm-based tube type						
P - 45UE - 6B	6 × 4	19	30	4	16	10
P - 45UE - 10B	10 × 8	25	39.5	8	23	15
P - 45UE - 12B	12 × 10	29	45.5	10	28	18
P - 45UE - 19B	19 × 15.8	36	57	16	38	27
P - 45UE - 25B	25 × 22	43	69.5	22	47.5	34

Unit: mm

Part No.	Tube size	(A)	(B)	ϕE	F	W
Inch-based tube type						
P - 45UE - W2B	1/4" × 5/32"	19	30	4	16	10
P - 45UE - W3B	3/8" × 1/4"	25	39.5	8	23	15
P - 45UE - W4B	1/2" × 3/8"	29	45.5	10	28	18
P - 45UE - W6B	3/4" × 5/8"	36	57	16	38	27
P - 45UE - W8B	1" × 7/8"	43	69.5	22	47.5	34

Notes: 1) P-45UE-W6B = P-45UE-19B
 2) All sizes in the tables are reference values.
 3) "W" indicates the body width across flats.

P-45UY 45° Y-shaped union



Unit: mm

Part No.	Tube size	(A)	(B)	(C)	ϕE	F	W
mm-based tube type							
P - 45UY - 6B	6 × 4	19	27	47.5	4	16	10
P - 45UY - 10B	10 × 8	25	37	63	8	23	15
P - 45UY - 12B	12 × 10	29	42.5	71.5	10	28	18
P - 45UY - 19B	19 × 15.8	36	55.5	95.5	16	38	27
P - 45UY - 25B	25 × 22	43	64.5	111.5	22	47.5	34

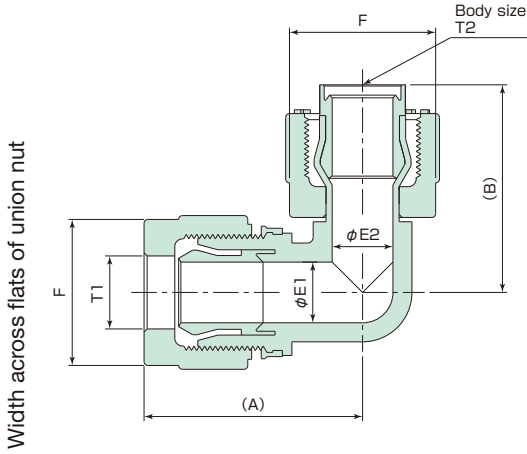
Unit: mm

Part No.	Tube size	(A)	(B)	(C)	ϕE	F	W
Inch-based tube type							
P - 45UY - W2B	1/4" × 5/32"	19	27	47.5	4	16	10
P - 45UY - W3B	3/8" × 1/4"	25	37	63	8	23	15
P - 45UY - W4B	1/2" × 3/8"	29	42.5	71.5	10	28	18
P - 45UY - W6B	3/4" × 5/8"	36	55.5	95.5	16	38	27
P - 45UY - W8B	1" × 7/8"	43	64.5	111.5	22	47.5	34

Notes: 1) P-45UY-W6B = P-45UY-19B
 2) All sizes in the tables are reference values.
 3) "W" indicates the body width across flats.

P-UEA Union elbow adapter Space-saving type

Fitting end adapter type



Width across flats of union nut

Unit: mm

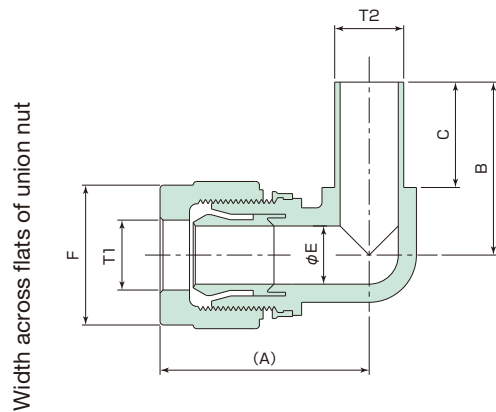
Part No.	Tube size T1	Body size T2	(A)	(B)	φ E1	φ E2	F	W
mm-based tube type								
P - UEA 6 - T W2 BS	6 × 4	6 , 1/4"	30	29.5	4	3.95	16	10
P - UEA 8 - T 8 BS	8 × 6	8	34.5	33	6	6	19	13
P - UEA 10 - T W3 BS	10 × 8	10 , 3/8"	39.5	38.5	8	6.33	23	15
P - UEA 12 - T W4 BS	12 × 10	12 , 1/2"	45.5	44.5	10	9.5	28	18
P - UEA 19 - T 19 BS	19 × 15.8	19 , 3/4"	57	56.5	16	15.8	38	27
P - UEA 25 - T W8 BS	25 × 22	25 , 1"	69.5	68.5	22	22.2	47.5	34

Unit: mm

Part No.	Tube size T1	Tube size T2	(A)	B	C	φ E	F	W
Inch-based tube type								
P - UEA W2 - T W2 BS	1/4" × 5/32"	6 , 1/4"	30	29.5	4	3.95	16	10
P - UEA W3 - T W3 BS	3/8" × 1/4"	10 , 3/8"	39.5	38.5	8	6.33	23	15
P - UEA W4 - T W4 BS	1/2" × 3/8"	12 , 1/2"	45.5	44.5	10	9.5	28	18
P - UEA W6 - T W6 BS	3/4" × 5/8"	19 , 3/4"	57	56.5	16	15.8	38	27
P - UEA W8 - T W8 BS	1" × 7/8"	25 , 1"	69.5	68.5	22	22.2	47.5	34

- Notes: 1) P-UEA W6-TW6BS - P-UEA 19-T19BS
 2) "Body size T2" for the products shown above is specially designed for the Super 300 Type PILLAR Fitting P-series. Other type fittings cannot be connected.
 3) All sizes in the tables are reference values.
 4) "W" indicates the body width across flats.

Tube end adapter type



Width across flats of union nut

Unit: mm

Part No.	Tube size T1	Tube size T2	(A)	B	C	φ E	F	W
mm-based tube type								
P - UEA 6 - T W2 BT	6 × 4	6.35 × 3.95	30	26.5	17	4	16	10
P - UEA 8 - T 8 BT	8 × 6	8 × 6	34.5	29	18	6	19	13
P - UEA 10 - T W3 BT	10 × 8	9.53 × 6.33	39.5	33.5	21	8	23	15
P - UEA 12 - T W4 BT	12 × 10	12.7 × 9.5	45.5	39.5	25	10	28	18
P - UEA 19 - T 19 BT	19 × 15.8	19 × 15.8	57	49.6	31	16	38	27
P - UEA 25 - T W8 BT	25 × 22	25.4 × 22.2	69.5	61.5	38	22	47.5	34

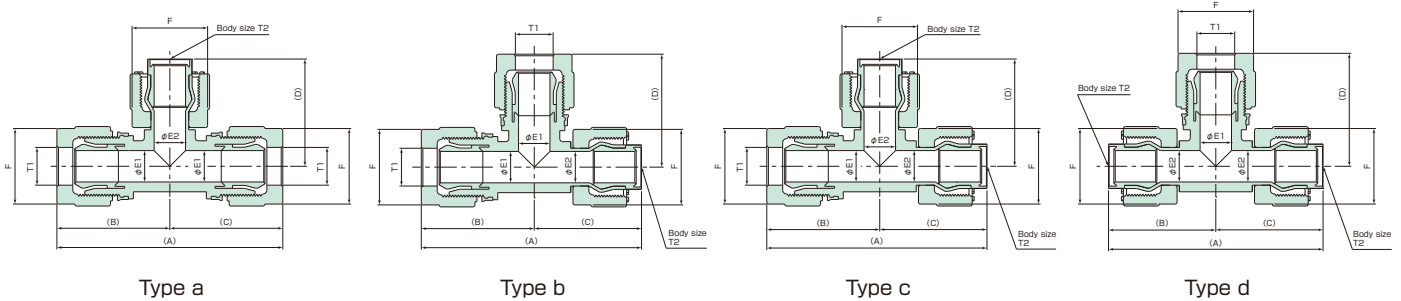
Unit: mm

Part No.	Tube size T1	Tube size T2	(A)	B	C	φ E	F	W
Inch-based tube type								
P - UEA W2 - T W2 BT	1/4" × 5/32"	1/4" × 5/32"	30	26.5	17	4	16	10
P - UEA W3 - T W3 BT	3/8" × 1/4"	3/8" × 1/4"	39.5	33.5	21	8	23	15
P - UEA W4 - T W4 BT	1/2" × 3/8"	1/2" × 3/8"	45.5	39.5	25	10	28	18
P - UEA W6 - T W6 BT	3/4" × 5/8"	3/4" × 5/8"	57	49.6	31	16	38	27
P - UEA W8 - T W8 BT	1" × 7/8"	1" × 7/8"	69.5	61.5	38	22	47.5	34

- Notes: 1) P-UEA W6-TW6BT - P-UEA 19-T19BT
 2) All sizes in the tables are reference values.
 3) "W" indicates the body width across flats.

P-UTA Union tee adapter Space-saving type

Fitting end adapter type



Note) F: Width across flats of union nut

Unit: mm

Part No.	Type	Tube size T1	Body size T2	(A)	(B)	(C)	(D)	φ E1	φ E2	F	W
mm-based tube type											
P - UTA 6 - TW2 - 6 BS	a	6 × 4	6 . 1/4"	60	30	30	29.5	4	3.95	16	10
P - UTA 6 - 6 - T6 AS	b	//	//	54	26.5	27.5	26.5	//	4	//	15
P - UTA 8 - T8 - 8 BS	a	8 × 6	8	69	34.5	34.5	33	6	6	19	13
P - UTA 8 - 8 - T8 AS	b	//	//	62	31	31	31	//	//	//	18
P - UTA T8 - 8 - T8 AS	d	//	//	//	//	//	//	//	//	//	//
P - UTA 10 - TW3 - 10 BS	a	10 × 8	10 . 3/8"	79	39.5	39.5	38.5	8	6.33	23	15
P - UTA 10 - 10 - T10 AS	b	//	//	72	35.5	36.5	35.5	//	8	//	21
P - UTA 12 - TW4 - 12 BS	a	12 × 10	12 . 1/2"	91	45.5	45.5	44.5	10	9.5	28	18
P - UTA 12 - 12 - T12 AS	b	//	//	84	41.5	42.5	41.5	//	10	//	25
P - UTA T12 - 12 - T12 AS	d	//	//	85	42.5	//	//	//	//	//	//
P - UTA 19 - T19 - 19 BS	a	19 × 15.8	19 . 3/4"	114.2	57.1	57.1	56.6	16	15.8	38	27
P - UTA 19 - 19 - T19 BS	b	//	//	113.7	//	56.6	57.1	//	//	//	//
P - UTA 19 - T19 - T19 BS	c	//	//	//	//	//	56.6	//	//	//	//
P - UTA T19 - 19 - T19 AS	d	//	//	109.5	54.8	54.8	53	//	//	//	33.5
P - UTA 25 - TW8 - 25 BS	a	25 × 22	25 . 1"	139	69.5	69.5	68.5	22	22.2	47.5	34
P - UTA 25 - 25 - TW8 BS	b	//	//	138	//	68.5	69.5	//	//	//	//
P - UTA 25 - T25 - T25 AS	c	//	//	134	64.5	69.5	//	//	22	//	43
P - UTA T25 - 25 - T25 AS	d	//	//	133	66.5	66.5	64.5	//	//	//	//

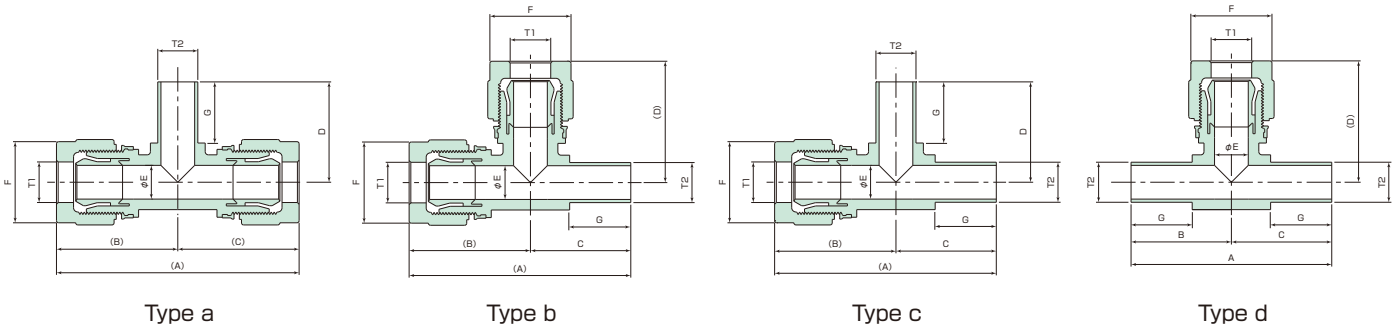
Unit: mm

Part No.	Type	Tube size T1	Body size T2	(A)	(B)	(C)	(D)	φ E1	φ E2	F	W
Inch-based tube type											
P - UTA W2 - TW2 - W2 BS	a	1/4" × 5/32"	6 . 1/4"	60	30	30	29.5	4	3.95	16	10
P - UTA W2 - W2 - TW2 AS	b	//	//	54	26.5	27.5	26.5	//	//	//	15
P - UTA TW2 - W2 - TW2 AS	d	//	//	55	27.5	//	//	//	//	//	//
P - UTA W3 - TW3 - W3 BS	a	3/8" × 1/4"	10 . 3/8"	79	39.5	39.5	38.5	8	6.33	23	15
P - UTA W3 - W3 - TW3 AS	b	//	//	72	35.5	36.5	35.5	//	//	//	21
P - UTA W3 - TW3 - TW3 AS	c	//	//	//	//	//	36.5	//	//	//	//
P - UTA TW3 - W3 - TW3 BS	d	//	//	77	38.5	38.5	39.5	//	//	//	15
P - UTA W4 - TW4 - W4 BS	a	1/2" × 3/8"	12 . 1/2"	91	45.5	45.5	44.5	10	9.5	28	18
P - UTA W4 - W4 - TW4 BS	b	//	//	90	//	44.5	45.5	//	//	//	//
P - UTA W4 - TW4 - TW4 AS	c	//	//	84	41.5	42.5	42.5	//	//	//	25
P - UTA TW4 - W4 - TW4 AS	d	//	//	85	42.5	//	41.5	//	//	//	//
P - UTA W6 - TW6 - W6 BS	a	3/4" × 5/8"	19 . 3/4"	114.2	57.1	57.1	56.6	16	15.8	38	27
P - UTA W6 - W6 - TW6 BS	b	//	//	113.7	//	56.6	57.1	//	//	//	//
P - UTA W6 - TW6 - TW6 BS	c	//	//	//	//	//	56.6	//	//	//	//
P - UTA TW6 - W6 - TW6 AS	d	//	//	109.5	54.8	54.8	53	//	//	//	33.5
P - UTA W8 - TW8 - W8 BS	a	1" × 7/8"	25 . 1"	139	69.5	69.5	68.5	22	22.2	47.5	34
P - UTA W8 - W8 - TW8 BS	b	//	//	138	//	68.5	69.5	//	//	//	43
P - UTA W8 - TW8 - TW8 AS	c	//	//	134	64.5	69.5	//	//	//	//	//
P - UTA TW8 - W8 - TW8 AS	d	//	//	133	66.5	66.5	64.5	//	//	//	//

- Notes: 1) P-UTA W6-TW6-W6BS = P-UTA 19-T19-19BS
 2) P-UTA W6-TW6-TW6BS = P-UTA 19-T19-T19BS
 3) P-UTA W6-W6-TW6BS = P-UTA 19-19-T19BS
 4) P-UTA TW6-W6-TW6AS = P-UTA T19-19-T19AS
 5) "Body size T2" for the products shown above is specially designed for the Super 300 Type PILLAR Fitting P-series. Other type fittings cannot be connected.
 6) All sizes in the tables are reference values.
 7) "W" indicates the body width across flats.

P-UTA Union tee adapter Space-saving type

Tube end adapter type



Note) F: Width across flats of union nut

Unit: mm

Part No.	Type	Tube size T1	Tube size T2	A (A)	B (B)	C (C)	D (D)	G	φ E	F	W
mm-based tube type											
P - UTA 6 - TW2 - 6 BT	a	6 × 4	6.35 × 3.95	60	30	30	26.5	17	4	16	10
P - UTA 6 - 6 - T6 AT	b	6 × 4	6 × 4	51	26.5	24.5	26.5	17	4	16	15
P - UTA 8 - T8 - 8 BT	a	8 × 6	8 × 6	69	34.5	34.5	29	18	6	19	13
P - UTA 8 - 8 - T8 AT	b	8 × 6	8 × 6	58	31	27	31	18	6	19	18
P - UTA T8 - 8 - T8 AT	d	8 × 6	8 × 6	54	27	27	31	18	6	19	18
P - UTA 10 - TW3 - 10 BT	a	10 × 8	9.53 × 6.33	79	39.5	39.5	33.5	21	8	23	15
P - UTA 10 - 10 - T10 AT	b	10 × 8	10 × 8	67	35.5	31.5	35.5	21	8	23	21
P - UTA 12 - TW4 - 12 BT	a	12 × 10	12.7 × 9.5	91	45.5	45.5	39.5	25	10	28	18
P - UTA 12 - 12 - T12 AT	b	12 × 10	12 × 10	79	41.5	37.5	41.5	25	10	28	25
P - UTA T12 - 12 - T12 AT	d	12 × 10	12 × 10	75	37.5	37.5	41.5	25	10	28	25
P - UTA 19 - T19 - 19 BT	a	19 × 15.8	19 × 15.8	114	57	57	49.6	31	16	38	27
P - UTA 19 - 19 - T19 BT	b	19 × 15.8	19 × 15.8	106.5	57	57	49.6	31	16	38	27
P - UTA 19 - T19 - T19 BT	c	19 × 15.8	19 × 15.8	114	57	57	49.6	31	16	38	27
P - UTA T19 - 19 - T19 AT	d	19 × 15.8	19 × 15.8	95.5	47.8	47.8	53	31	16	38	33.5
P - UTA 25 - TW8 - 25 BT	a	25 × 22	25.4 × 22.2	139	69.5	69.5	61.5	38	22	47.5	34
P - UTA 25 - 25 - TW8 BT	b	25 × 22	25 × 22	131	69.5	69.5	61.5	38	22	47.5	34
P - UTA 25 - T25 - T25 AT	c	25 × 22	25 × 22	127	64.5	62.5	62.5	38	22	47.5	43
P - UTA T25 - 25 - T25 AT	d	25 × 22	25 × 22	119	59.5	59.5	64.5	38	22	47.5	43

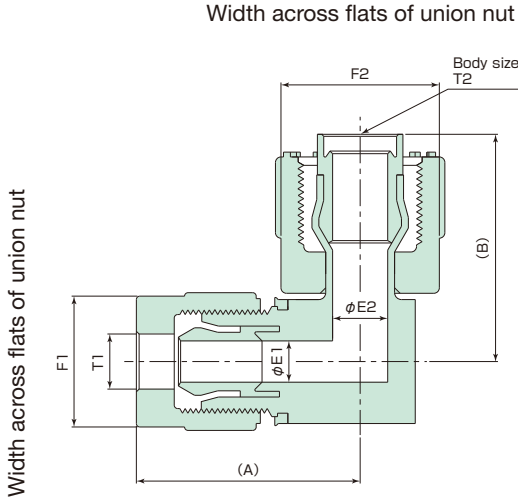
Unit: mm

Part No.	Type	Tube size T1	Tube size T2	A (A)	B (B)	C (C)	D (D)	G	φ E	F	W
Inch-based tube type											
P - UTA W2 - TW2 - W2 BT	a	1/4" × 5/32"	1/4" × 5/32"	60	30	30	26.5	17	4	16	10
P - UTA W2 - W2 - TW2 AT	b	1/4" × 5/32"	1/4" × 5/32"	51	26.5	24.5	26.5	17	4	16	15
P - UTA TW2 - W2 - TW2 AT	d	1/4" × 5/32"	1/4" × 5/32"	49	24.5	24.5	26.5	17	4	16	15
P - UTA W3 - TW3 - W3 BT	a	3/8" × 1/4"	3/8" × 1/4"	79	39.5	39.5	33.5	21	8	23	15
P - UTA W3 - W3 - TW3 AT	b	3/8" × 1/4"	3/8" × 1/4"	67	35.5	31.5	35.5	21	8	23	21
P - UTA TW3 - W3 - TW3 AT	c	3/8" × 1/4"	3/8" × 1/4"	79	35.5	31.5	35.5	21	8	23	21
P - UTA TW3 - W3 - TW3 BT	d	3/8" × 1/4"	3/8" × 1/4"	79	35.5	31.5	35.5	21	8	23	21
P - UTA W4 - TW4 - W4 BT	a	1/2" × 3/8"	1/2" × 3/8"	91	45.5	45.5	39.5	25	10	28	18
P - UTA W4 - W4 - TW4 BT	b	1/2" × 3/8"	1/2" × 3/8"	85	45.5	39.5	45.5	25	10	28	18
P - UTA W4 - TW4 - TW4 AT	c	1/2" × 3/8"	1/2" × 3/8"	79	41.5	37.5	37.5	25	10	28	25
P - UTA TW4 - W4 - TW4 AT	d	1/2" × 3/8"	1/2" × 3/8"	75	37.5	37.5	41.5	25	10	28	25
P - UTA W6 - TW6 - W6 BT	a	3/4" × 5/8"	3/4" × 5/8"	114	57	57	49.6	31	16	38	27
P - UTA W6 - W6 - TW6 BT	b	3/4" × 5/8"	3/4" × 5/8"	106.5	57	57	49.6	31	16	38	27
P - UTA TW6 - W6 - TW6 BT	c	3/4" × 5/8"	3/4" × 5/8"	114	57	57	49.6	31	16	38	27
P - UTA TW6 - W6 - TW6 AT	d	3/4" × 5/8"	3/4" × 5/8"	95.5	47.8	47.8	53	31	16	38	33.5
P - UTA W8 - TW8 - W8 BT	a	1" × 7/8"	1" × 7/8"	139	69.5	69.5	61.5	38	22	47.5	34
P - UTA W8 - W8 - TW8 BT	b	1" × 7/8"	1" × 7/8"	131	69.5	69.5	61.5	38	22	47.5	34
P - UTA TW8 - W8 - TW8 AT	c	1" × 7/8"	1" × 7/8"	127	64.5	62.5	62.5	38	22	47.5	43
P - UTA TW8 - W8 - TW8 AT	d	1" × 7/8"	1" × 7/8"	119	59.5	59.5	64.5	38	22	47.5	43

- Notes: 1) P-UTA W6-TW6-W6BT = P-UTA 19-T19-T19BT
 2) P-UTA W6-TW6-TW6BT = P-UTA 19-T19-T19BT
 3) P-UTA W6-W6-TW6BT = P-UTA 19-T19-T19BT
 4) P-UTA TW6-W6-TW6AT = P-UTA T19-T19-T19AT
 5) All sizes in the tables are reference values.
 6) "W" indicates the body width across flats.

P-RUEA Reducing union elbow adapter Space-saving type

Fitting end adapter type



Unit: mm

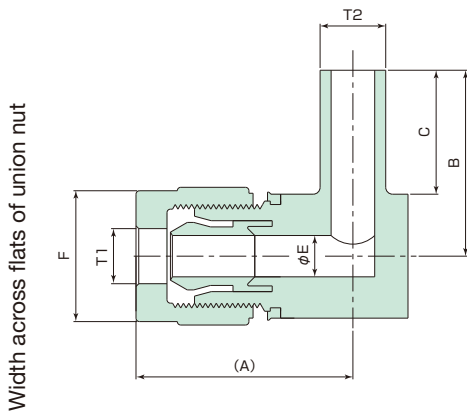
Part No.	Tube size T1	Body size T2	(A)	(B)	φ E1	φ E2	F1	F2	W
mm-based tube type									
P - RUEA 6 - TW3 BS	6 × 4	10 , 3/8"	33	38.5	4	6.33	16	23	15
P - RUEA 6 - TW4 BS	"	12 , 1/2"	35	44.5	"	9.5	"	28	18
P - RUEA 8 - T10 AS	8 × 6	10 , 3/8"	33.5	35	6	8	19	23	18
P - RUEA 8 - TW2 AS	"	6 , 1/4"	29	29	"	3.95	"	16	"
P - RUEA 8 - TW3 AS	"	10 , 3/8"	33.5	35	"	6.33	"	23	"
P - RUEA 10 - TW2 AS	10 × 8	6 , 1/4"	32.5	30.5	8	3.95	23	16	21
P - RUEA 10 - TW4 AS	"	12 , 1/2"	37.5	40.5	"	9.5	"	28	"
P - RUEA 10 - T19 AS	"	19 , 3/4"	42	48.5	"	15.8	"	38	26.5
P - RUEA 12 - T6 AS	12 × 10	6 , 1/4"	36.5	32.5	10	4	28	16	25
P - RUEA 12 - TW3 AS	"	10 , 3/8"	39.5	38.5	"	6.33	"	23	"
P - RUEA 12 - T19 BS	"	19 , 3/4"	49.5	56.5	"	15.8	"	38	27
P - RUEA 12 - TW8 AS	"	25 , 1"	50.5	57.5	"	22.2	"	47.5	30
P - RUEA 19 - TW8 BS	19 × 15.8	25 , 1"	62	68.5	16	22.2	38	47.5	34
P - RUEA 25 - T19 AS	25 × 22	19 , 3/4"	64.5	59.5	22	15.8	47.5	38	43

Unit: mm

Part No.	Tube size T1	Body size T2	(A)	(B)	C	φ E	F	W	
Inch-based tube type									
P - RUEA W2 - TW3 BS	1/4" × 5/32"	10 , 3/8"	33	38.5	4	6.33	16	23	15
P - RUEA W2 - TW4 BS	"	12 , 1/2"	35	44.5	"	9.5	"	28	18
P - RUEA W3 - TW2 AS	3/8" × 1/4"	6 , 1/4"	32.5	30.5	8	3.95	23	16	21
P - RUEA W3 - TW4 AS	"	12 , 1/2"	37.5	40.5	"	9.5	"	28	"
P - RUEA W3 - TW6 AS	"	19 , 3/4"	42	48.5	"	15.8	"	38	26.5
P - RUEA W4 - T6 AS	1/2" × 3/8"	6 , 1/4"	36.5	32.5	10	4	28	16	25
P - RUEA W4 - TW3 AS	"	10 , 3/8"	39.5	38.5	"	6.33	"	23	"
P - RUEA W4 - TW6 AS	"	19 , 3/4"	49.5	56.5	"	15.8	"	38	27
P - RUEA W4 - TW8 AS	"	25 , 1"	50.5	57.5	"	22.2	"	47.5	30
P - RUEA W6 - TW8 BS	3/4" × 5/8"	25 , 1"	62	68.5	16	22.2	38	47.5	34
P - RUEA W8 - TW6 AS	1" × 7/8"	19 , 3/4"	64.5	59.5	22	15.8	47.5	38	43

Note: P-RUEA W6-TW8BS = P-RUEA 19-TW8BS

Tube end adapter type



Unit: mm

Part No.	Tube size T1	Tube size T2	(A)	B	C	φ E	F	W
mm-based tube type								
P - RUEA 6 - T10 AT	6 × 4	10 × 8	29.5	28.5	21	4	16	15
P - RUEA 6 - TW3 BT	"	9.53 × 6.33	33	33.5	"	"	"	"
P - RUEA 6 - TW4 BT	"	12.7 × 9.5	35	39.5	25	"	"	18
P - RUEA 8 - T10 AT	8 × 6	10 × 8	33.5	30	21	6	19	18
P - RUEA 8 - TW2 AT	"	6.35 × 3.95	29	26	17	"	"	"
P - RUEA 8 - TW3 AT	"	9.53 × 6.33	33.5	30	21	"	"	26.5
P - RUEA 10 - TW2 AT	10 × 8	6.35 × 3.95	32.5	27.5	17	8	23	21
P - RUEA 10 - TW4 AT	"	12.7 × 9.5	37.5	35.5	25	"	"	"
P - RUEA 10 - T19 AT	"	19 × 15.8	42	41.5	31	"	"	"
P - RUEA 12 - T6 AT	12 × 10	6 × 4	36.5	29.5	17	10	28	25
P - RUEA 12 - TW3 AT	"	9.53 × 6.33	39.5	33.5	21	"	"	"
P - RUEA 12 - T19 BT	"	19 × 15.8	49.5	49.6	31	"	"	27
P - RUEA 12 - TW8 AT	"	25.4 × 22.2	50.5	50.5	38	"	"	30
P - RUEA 19 - TW8 BT	19 × 15.8	25.4 × 22.2	62	61.5	38	16	38	34
P - RUEA 25 - T19 AT	25 × 22	19 × 15.8	64.5	52.5	31	22	47.5	43

Unit: mm

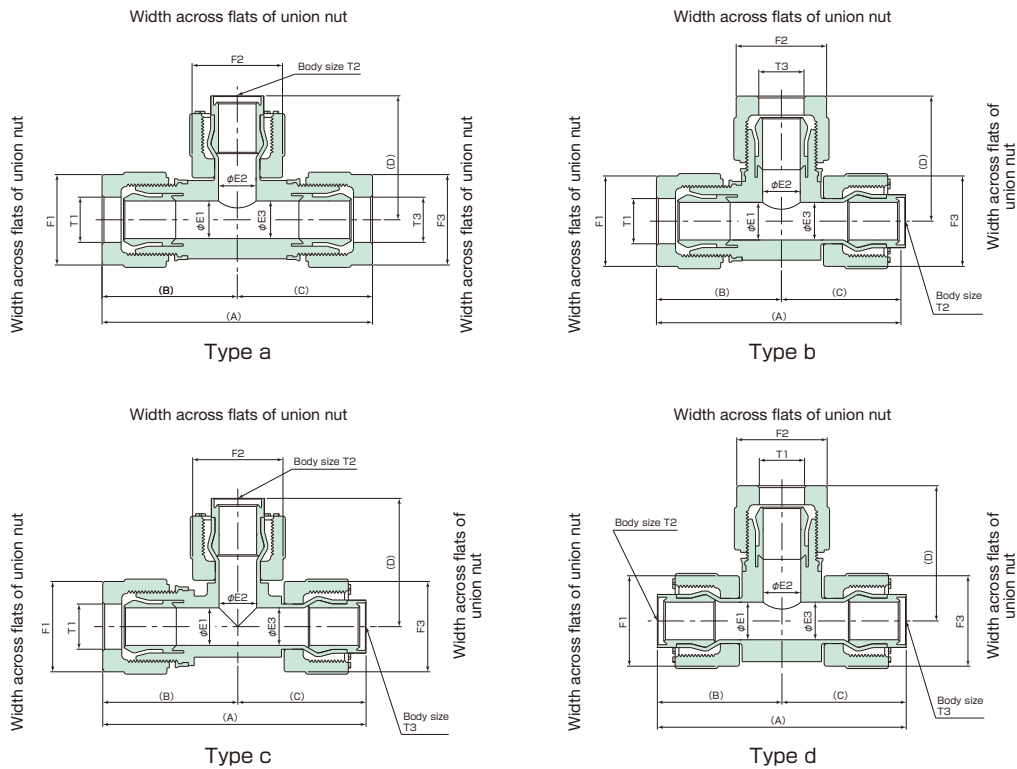
Part No.	Tube size T1	Tube size T2	(A)	B	C	φ E	F	W
Inch-based tube type								
P - RUEA W2 - T10 AT	1/4" × 5/32"	10 × 8	29.5	28.5	21	4	16	15
P - RUEA W2 - TW3 BT	"	3/8" × 1/4"	33	33.5	"	"	"	"
P - RUEA W2 - TW4 BT	"	1/2" × 3/8"	35	39.5	25	"	"	18
P - RUEA W3 - TW2 AT	3/8" × 1/4"	1/4" × 5/32"	32.5	27.5	17	8	23	21
P - RUEA W3 - TW4 AT	"	1/2" × 3/8"	37.5	35.5	25	"	"	"
P - RUEA W3 - TW6 AT	"	3/4" × 5/8"	42	41.5	31	"	"	26.5
P - RUEA W4 - T6 AT	1/2" × 3/8"	6 × 4	36.5	29.5	17	10	28	25
P - RUEA W4 - TW3 AT	"	3/8" × 1/4"	39.5	33.5	21	"	"	"
P - RUEA W4 - TW6 BT	"	3/4" × 5/8"	49.5	49.6	31	"	"	27
P - RUEA W4 - TW8 AT	"	1" × 7/8"	50.5	50.5	38	"	"	30
P - RUEA W6 - TW8 BT	3/4" × 5/8"	1" × 7/8"	62	61.5	38	16	38	34
P - RUEA W8 - TW6 AT	1" × 7/8"	3/4" × 5/8"	64.5	52.5	31	22	47.5	43

Note: P-RUEA W6-TW8BT = P-RUEA 19-TW8BT

Notes: 1) All sizes in the tables are reference values.
2) "W" indicates the body width across flats.

P-RUTA Reducing union tee adapter Space-saving type

Fitting end adapter type



Unit: mm

Part No.	Type	Tube size T1	Body size T2	Tube size Body size T3	(A)	(B)	(C)	(D)	ϕ E1	ϕ E2	ϕ E3	F1	F2	F3	W
mm-based tube type															
P - RUTA 6 - T10 - 6 AS	a	6 × 4	10 . 3/8"	6 × 4	59	29.5	29.5	33.5	4	8	4	16	23	16	15
P - RUTA 8 - T10 - 8 AS	a	8 × 6	10 . 3/8"	8 × 6	65	32.5	32.5	35	6	8	6	19	23	19	18
P - RUTA T10 - 6 - 6 AS	b	6 × 4	10 . 3/8"	6 × 4	60	26.5	33.5	30.5	4	4	8	16	16	23	16
P - RUTA T10 - 8 - 8 AS	b	8 × 6	"	8 × 6	66	31	35	33.5	6	6	"	19	19	"	18
P - RUTA 12 - T10 - 12 AS	a	12 × 10	10 . 3/8"	12 × 10	81	40.5	40.5	38.5	10	8	10	28	23	28	25
P - RUTA 12 - T19 - 12 AS	a	"	19 . 3/4"	"	92	46	46	50.5	"	15.8	"	"	38	"	34
P - RUTA 19 - 6 - T19 AS	b	19 × 15.8	19 . 3/4"	6 × 4	89	43.5	45.5	36	16	4	15.8	38	16	38	33.5
P - RUTA 19 - T10 - 19 AS	a	"	10 . 3/8"	19 × 15.8	95	47.5	47.5	43	"	8	16	"	23	"	"
P - RUTA 19 - T12 - 19 AS	a	"	12 . 1/2"	"	97	48.5	48.5	47	"	10	"	"	28	"	"
P - RUTA 19 - T19 - 6 AS	a	"	19 . 3/4"	6 × 4	88.5	53	36	55	"	15.8	4	"	38	16	"
P - RUTA 19 - T19 - 12 AS	a	"	"	12 × 10	98.5	"	46	"	"	"	10	"	"	28	"
P - RUTA 19 - T25 - 6 AS	a	"	25 . 1"	6 × 4	98	57.5	40.5	62	"	22	4	"	47.5	16	"
P - RUTA 19 - T25 - 19 AS	a	"	"	19 × 15.8	115	"	57.5	"	"	"	16	"	"	38	"
P - RUTA 25 - 19 - TW8 BS	b	25 × 22	25 . 1"	19 × 15.8	138	69.5	68.5	62	22	16	22.2	47.5	38	47.5	34
P - RUTA 25 - TW4 - 25 AS	a	"	12 . 1/2"	25 × 22	111	55.5	55.5	51.5	"	9.5	22	"	28	"	43
P - RUTA 25 - T19 - 25 AS	a	"	19 . 3/4"	"	120	60	60	59.5	"	15.8	"	"	38	"	"

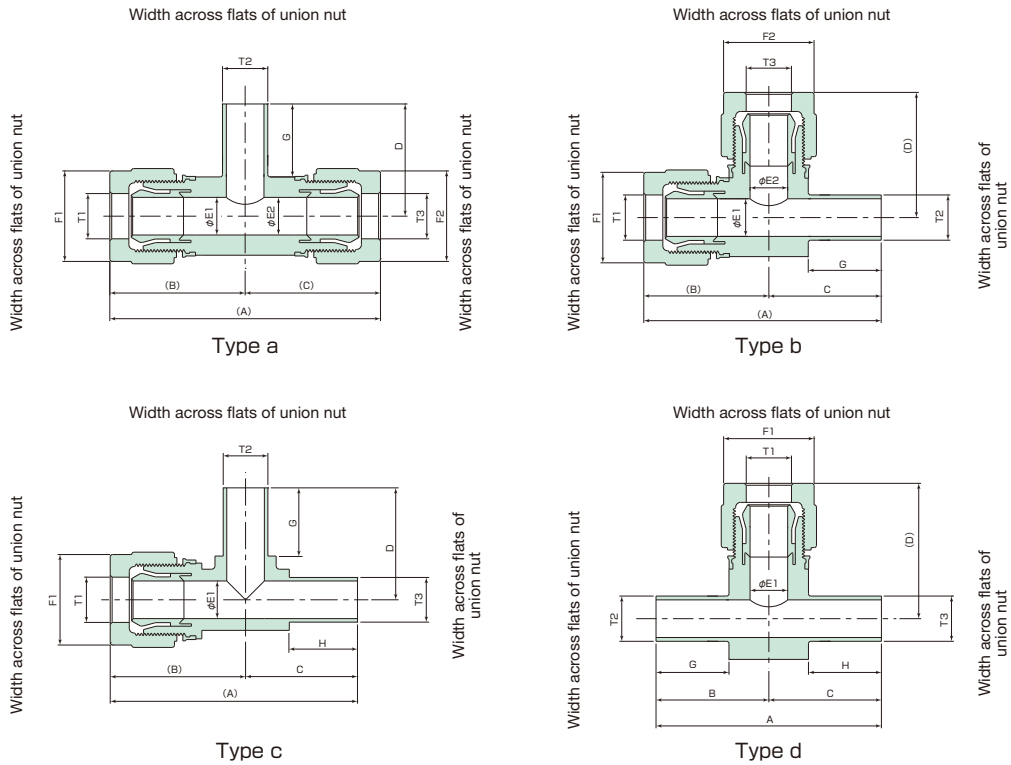
Unit: mm

Part No.	Type	Tube size T1	Body size T2	Tube size Body size T3	(A)	(B)	(C)	(D)	ϕ E1	ϕ E2	ϕ E3	F1	F2	F3	W
Inch-based tube type															
P - RUTA W2 - W2 - TW4 BS	b	1/4" × 5/32"	12 . 1/2"	1/4" × 5/32"	79.5	35	44.5	35	4	4	9.5	16	16	28	18
P - RUTA W2 - TW4 - TW4 BS	c	"	"	12 . 1/2"	"	"	"	44.5	"	9.5	"	"	28	"	"
P - RUTA W3 - W3 - TW4 BS	b	3/8" × 1/4"	"	3/8" × 1/4"	86	41.5	"	41.5	8	8	"	23	23	"	"
P - RUTA TW3 - W2 - TW3 BS	d	1/4" × 5/32"	10 . 3/8"	10 . 3/8"	77	38.5	38.5	33	6.33	4	6.33	"	16	23	15
P - RUTA TW3 - W3 - W2 AS	b	"	"	3/8" × 1/4"	66	29.5	36.5	36.5	4	8	"	16	23	"	21
P - RUTA W4 - TW3 - W3 AS	a	1/2" × 3/8"	10 . 3/8"	3/8" × 1/4"	77	40.5	36.5	38.5	10	6.33	8	28	23	23	25
P - RUTA W4 - TW3 - W4 AS	a	"	"	1/2" × 3/8"	81	"	40.5	"	"	"	10	"	"	28	"
P - RUTA W4 - TW6 - W4 AS	a	"	19 . 3/4"	"	92	46	46	50.5	"	15.8	"	"	38	"	34
P - RUTA TW4 - W2 - TW4 BS	d	1/4" × 5/32"	12 . 1/2"	12 . 1/2"	89	44.5	44.5	35	9.5	4	9.5	"	16	"	18
P - RUTA TW4 - W6 - TW4 AS	d	3/4" × 5/8"	"	"	93.5	47	47	48.5	"	16	"	"	38	"	33.5
P - RUTA W6 - W2 - TW6 AS	b	3/4" × 5/8"	19 . 3/4"	1/4" × 5/32"	89	43.5	45.5	36	16	4	15.8	38	16	38	33.5
P - RUTA W6 - W6 - TW8 AS	b	"	25 . 1"	3/4" × 5/8"	114.5	53	62	57.5	"	16	22.2	"	38	47.5	"
P - RUTA W6 - TW3 - W6 AS	a	"	10 . 3/8"	3/4" × 5/8"	95	47.5	47.5	43	"	6.33	16	"	23	38	"
P - RUTA W6 - TW4 - W4 AS	a	"	12 . 1/2"	1/2" × 3/8"	90	48.5	41.5	47	"	9.5	10	"	28	28	"
P - RUTA W6 - TW4 - W6 AS	a	"	"	3/4" × 5/8"	97	"	48.5	"	"	"	16	"	"	38	"
P - RUTA W6 - TW6 - W2 AS	a	"	19 . 3/4"	1/4" × 5/32"	88.5	53	36	55	"	15.8	4	"	38	16	"
P - RUTA W6 - TW6 - W4 AS	a	"	"	1/2" × 3/8"	98.5	"	46	"	"	"	10	"	"	28	"
P - RUTA TW6 - W6 - TW4 AS	d	"	"	12 . 1/2"	101.5	55	47	53	15.8	16	9.5	"	"	"	"
P - RUTA W8 - W6 - TW8 BS	b	1" × 7/8"	25 . 1"	3/4" × 5/8"	138	69.5	68.5	62	22	16	22.2	47.5	38	47.5	34
P - RUTA W8 - TW3 - W8 AS	a	"	10 . 3/8"	1" × 7/8"	107	53.5	53.5	47.5	"	6.33	22	"	23	"	43
P - RUTA W8 - TW4 - W8 AS	a	"	12 . 1/2"	"	111	55.5	55.5	51.5	"	9.5	"	"	28	"	"
P - RUTA W8 - TW6 - W8 AS	a	"	19 . 3/4"	"	120	60	60	59.5	"	15.8	"	"	38	"	"

Notes: 1) All sizes in the tables are reference values.
2) "W" indicates the body width across flats.

P-RUTA Reducing union tee adapter Space-saving type

Tube end adapter type



Unit: mm

Part No.	Type	Tube size T1	Tube size T2	Tube size T3	A (A)	B (B)	C (C)	D (D)	G	H	φ E1	φ E2	F1	F2	W
mm-based tube type															
P - RUTA 6 - T10 - 6 AT	a	6 × 4	10 × 8	6 × 4	59	29.5	29.5	28.5	21	-	4	4	16	16	15
P - RUTA 8 - T10 - 8 AT	a	8 × 6	10 × 8	8 × 6	65	32.5	32.5	30	21	-	6	6	19	19	18
P - RUTA T10 - 6 - 6 AT	b	6 × 4	10 × 8	6 × 4	55	26.5	28.5	30.5	21	-	4	4	16	16	16
P - RUTA T10 - 8 - 8 AT	b	8 × 6	10 × 8	8 × 6	61	31	30	33.5	21	-	6	6	19	19	18
P - RUTA 12 - T10 - 12 AT	a	12 × 10	10 × 8	12 × 10	81	40.5	40.5	33.5	21	-	10	10	28	28	25
P - RUTA 12 - T19 - 12 AT	a	12 × 10	19 × 15.8	12 × 10	92	46	46	43.5	31	-	10	10	28	28	34
P - RUTA 19 - 6 - T19 AT	b	19 × 15.8	19 × 15.8	6 × 4	82	43.5	38.5	36	31	-	16	4	38	16	33.5
P - RUTA 19 - T10 - 19 AT	a	19 × 15.8	10 × 8	19 × 15.8	95	47.5	47.5	37.8	21	-	16	16	38	38	38
P - RUTA 19 - T12 - 19 AT	a	19 × 15.8	12 × 10	19 × 15.8	97	48.5	48.5	41.8	25	-	16	16	38	38	38
P - RUTA 19 - T19 - 6 AT	a	19 × 15.8	19 × 15.8	6 × 4	88.5	53	36	47.8	31	-	16	4	38	16	38
P - RUTA 19 - T19 - 12 AT	a	19 × 15.8	12 × 10	19 × 15.8	98.5	53	46	47.8	31	-	16	10	38	28	38
P - RUTA 19 - T25 - 6 AT	a	19 × 15.8	25 × 22	6 × 4	98	57.5	40.5	54.8	38	-	16	4	38	16	38
P - RUTA 19 - T25 - 19 AT	a	19 × 15.8	19 × 15.8	19 × 15.8	115	57.5	40.5	54.8	38	-	16	16	38	38	38
P - RUTA 25 - 19 - TW8 BT	b	25 × 22	25.4 × 22.2	19 × 15.8	131	69.5	61.5	62	38	-	22	16	47.5	38	34
P - RUTA 25 - TW4 - 25 AT	a	25 × 22	12.7 × 9.5	25 × 22	111	55.5	55.5	46.5	25	-	22	22	47.5	43	43
P - RUTA 25 - T19 - 25 AT	a	25 × 22	19 × 15.8	25 × 22	120	60	60	52.5	31	-	22	22	47.5	43	43

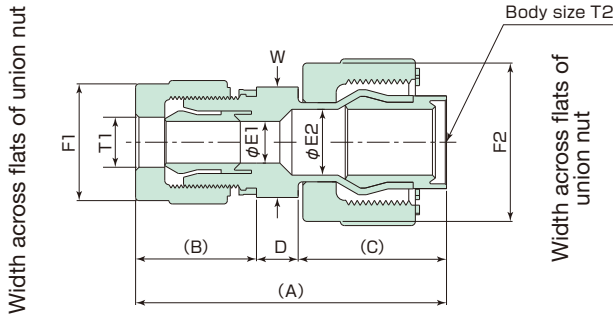
Unit: mm

Part No.	Type	Tube size T1	Tube size T2	Tube size T3	A (A)	B (B)	C (C)	D (D)	G	H	φ E1	φ E2	F1	F2	W
Inch-based tube type															
P - RUTA W2 - W2 - TW4 BT	b	1/4" × 5/32"	1/2" × 3/8"	1/4" × 5/32"	74.5	35	39.5	35	25	-	4	4	16	16	18
P - RUTA W2 - TW4 - TW4 BT	c	1/4" × 5/32"	1/2" × 3/8"	1/2" × 3/8"	74.5	35	39.5	35	25	25	4	4	16	16	18
P - RUTA W3 - W3 - TW4 BT	b	3/8" × 1/4"	1/2" × 3/8"	3/8" × 1/4"	81	41.5	41.5	41.5	25	-	8	8	23	23	21
P - RUTA TW3 - W2 - TW3 BT	d	1/4" × 5/32"	3/8" × 1/4"	1/4" × 5/32"	67	33.5	33.5	33	21	21	4	4	16	16	15
P - RUTA TW3 - W3 - W2 AT	b	1/4" × 5/32"	1/2" × 3/8"	1/4" × 5/32"	61	29.5	31.5	36.5	21	-	8	8	23	23	21
P - RUTA W4 - TW3 - W3 AT	a	1/2" × 3/8"	3/8" × 1/4"	3/8" × 1/4"	77	40.5	36.5	33.5	21	-	10	8	28	23	25
P - RUTA W4 - TW3 - W4 AT	a	1/2" × 3/8"	3/8" × 1/4"	1/2" × 3/8"	81	40.5	36.5	33.5	21	-	10	10	28	23	25
P - RUTA W4 - TW6 - W4 AT	a	1/2" × 3/8"	3/4" × 5/8"	1/2" × 3/8"	92	46	46	43.5	31	-	16	16	38	38	34
P - RUTA TW4 - W2 - TW4 BT	d	1/4" × 5/32"	1/2" × 3/8"	1/2" × 3/8"	79	39.5	39.5	35	25	25	4	4	16	16	18
P - RUTA TW4 - W6 - TW4 AT	d	3/4" × 5/8"	1/2" × 3/8"	1/2" × 3/8"	83.5	41.8	41.8	48.5	31	-	16	16	38	38	33.5
P - RUTA W6 - W2 - TW6 AT	b	3/4" × 5/8"	3/4" × 5/8"	1/4" × 5/32"	82	43.5	38.5	36	31	-	16	4	38	16	33.5
P - RUTA W6 - W6 - TW8 AT	b	3/4" × 5/8"	1" × 7/8"	3/4" × 5/8"	107.5	53	54.8	57.5	38	-	16	16	38	38	38
P - RUTA W6 - TW3 - W6 AT	a	3/4" × 5/8"	3/8" × 1/4"	3/4" × 5/8"	95	47.5	47.5	37.8	21	-	16	16	38	38	38
P - RUTA W6 - TW4 - W4 AT	a	3/4" × 5/8"	1/2" × 3/8"	1/2" × 3/8"	90	48.5	41.5	41.8	25	-	16	10	28	28	38
P - RUTA W6 - TW4 - W6 AT	a	3/4" × 5/8"	3/4" × 5/8"	3/4" × 5/8"	97	48.5	41.5	41.8	25	-	16	16	38	38	38
P - RUTA W6 - TW6 - W2 AT	a	3/4" × 5/8"	1/4" × 5/32"	1/4" × 5/32"	88.5	53	36	47.8	31	-	16	6	16	16	38
P - RUTA W6 - TW6 - W4 AT	a	3/4" × 5/8"	1/2" × 3/8"	1/2" × 3/8"	98.5	53	36	47.8	31	-	16	10	28	28	38
P - RUTA TW6 - W6 - TW4 AT	d	3/4" × 5/8"	1/2" × 3/8"	1/2" × 3/8"	89.5	47.8	41.8	53	31	25	16	16	38	38	38
P - RUTA W8 - W6 - TW8 BT	b	1" × 7/8"	1" × 7/8"	3/4" × 5/8"	131	69.5	61.5	62	38	-	22	16	47.5	38	34
P - RUTA W8 - TW3 - W8 AT	a	1" × 7/8"	3/8" × 1/4"	1" × 7/8"	107	53.5	53.5	42.5	21	-	22	22	47.5	43	43
P - RUTA W8 - TW4 - W8 AT	a	1" × 7/8"	1/2" × 3/8"	1" × 7/8"	111	55.5	55.5	46.5	25	-	22	22	47.5	43	43
P - RUTA W8 - TW6 - W8 AT	a	1" × 7/8"	3/4" × 5/8"	1" × 7/8"	120	60	60	52.5	31	-	22	22	47.5	43	43

Notes: 1) All sizes in the tables are reference values.
2) "W" indicates the body width across flats.

P-RUA Reducing union adapter Space-saving type

Fitting end adapter type



Unit: mm

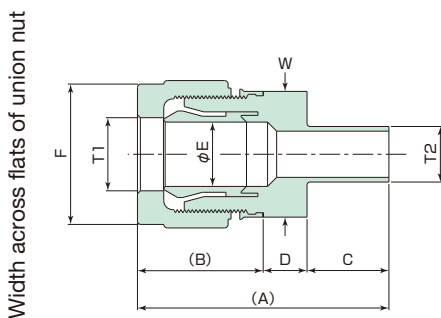
Part No.	Tube size T1	Body size T2	(A)	(B)	(C)	D	φ E1	φ E2	F1	F2	W
mm-based tube type											
P - RUA 8 - T10 AS	8 × 6	10 . 3/8"	55	22	26	7	6	8	19	23	18
P - RUA 10 - TW2 AS	10 × 8	6 . 1/4"	52	25	20	7	8	3.95	23	16	21
P - RUA 10 - T19 AS	10 × 8	19 . 3/4"	73	19	38	10	10	15.8	23	38	26.5
P - RUA 12 - T19 AS	12 × 10	19 . 3/4"	77	29	38	10	10	15.8	28	38	26.5
P - RUA 19 - TW8 BS	19 × 15.8	25 . 1"	91	36	45	10	16	22.2	38	47.5	33.5
P - RUA 25 - T19 AS	25 × 22	19 . 3/4"	96	43	38	15	22	15.8	47.5	38	43

Unit: mm

Part No.	Tube size T1	Body size T2	(A)	(B)	(C)	D	φ E1	φ E2	F1	F2	W
Inch-based tube type											
P - RUA W2 - TW8 AS	1/4" × 5/32"	25 . 1"	74	19	45	10	4	22.2	16	47.5	30
P - RUA W3 - TW2 AS	3/8" × 1/4"	6 . 1/4"	52	25	20	7	8	3.95	23	16	21
P - RUA W3 - TW6 AS	3/8" × 1/4"	19 . 3/4"	73	19	38	10	10	15.8	23	38	26.5
P - RUA W4 - TW6 BS	1/2" × 3/8"	19 . 3/4"	74	29	38	7	10	15.8	28	38	25
P - RUA W4 - TW8 AS	1/2" × 3/8"	25 . 1"	89	29	45	15	10	22.2	28	47.5	30
P - RUA W6 - TW3 AS	3/4" × 5/8"	10 . 3/8"	72	36	26	10	16	6.33	38	23	33.5
P - RUA W6 - TW4 AS	3/4" × 5/8"	12 . 1/2"	76	36	30	10	16	9.5	38	28	33.5
P - RUA W6 - TW8 BS	3/4" × 5/8"	25 . 1"	91	36	45	10	16	22.2	38	47.5	33.5
P - RUA W8 - TW6 AS	1" × 7/8"	19 . 3/4"	96	43	38	15	22	15.8	47.5	38	43

Note: P-RUA W6-TW8BS = P-RUA 19-TW8BS

Tube end adapter type



Unit: mm

Part No.	Tube size T1	Tube size T2	(A)	(B)	C	D	φ E	F	W
mm-based tube type									
P - RUA 8 - T10 AT	8 × 6	10 × 8	50	22	21	7	6	19	18
P - RUA 10 - TW2 AT	10 × 8	6.35 × 3.95	49	25	17	7	8	23	21
P - RUA 10 - T19 AT	10 × 8	19 × 15.8	66	19	31	10	10	23	26.5
P - RUA 12 - T19 AT	12 × 10	19 × 15.8	70	29	31	10	10	28	26.5
P - RUA 19 - TW8 BT	19 × 15.8	25.4 × 22.2	84	36	38	10	16	38	33.5
P - RUA 25 - T19 AT	25 × 22	19 × 15.8	89	43	31	15	22	47.5	43

Unit: mm

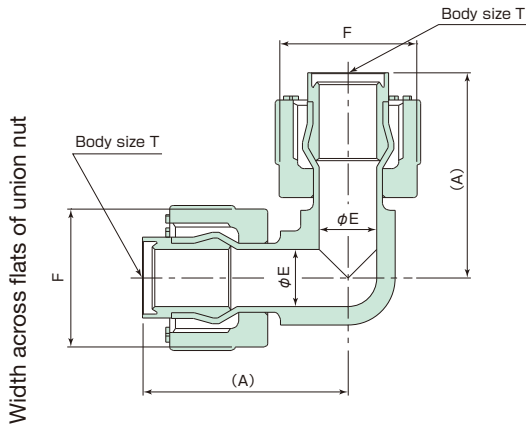
Part No.	Tube size T1	Tube size T2	(A)	(B)	C	D	φ E	F	W
Inch-based tube type									
P - RUA W2 - TW8 AT	1/4" × 5/32"	1" × 7/8"	67	19	38	10	4	16	30
P - RUA W3 - TW2 AT	3/8" × 1/4"	1/4" × 5/32"	49	25	17	7	8	23	21
P - RUA W3 - TW6 AT	3/8" × 1/4"	3/4" × 5/8"	66	19	31	10	10	23	26.5
P - RUA W4 - TW6 BT	1/2" × 3/8"	3/4" × 5/8"	67	29	31	7	10	28	25
P - RUA W4 - TW8 AT	1/2" × 3/8"	1" × 7/8"	82	29	38	15	10	28	30
P - RUA W6 - TW3 AT	3/4" × 5/8"	3/8" × 1/4"	67	36	21	10	16	38	33.5
P - RUA W6 - TW4 AT	3/4" × 5/8"	1/2" × 3/8"	71	36	25	10	16	38	33.5
P - RUA W6 - TW8 BT	3/4" × 5/8"	1" × 7/8"	84	36	38	10	16	38	33.5
P - RUA W8 - TW6 AT	1" × 7/8"	3/4" × 5/8"	89	43	31	15	22	47.5	43

Note: P-RUA W6-TW8BT = P-RUA 19-TW8BT

Notes: 1) All sizes in the tables are reference values.
2) "W" indicates the body width across flats.

P-EA Elbow adapter Space-saving type

Fitting end adapter type



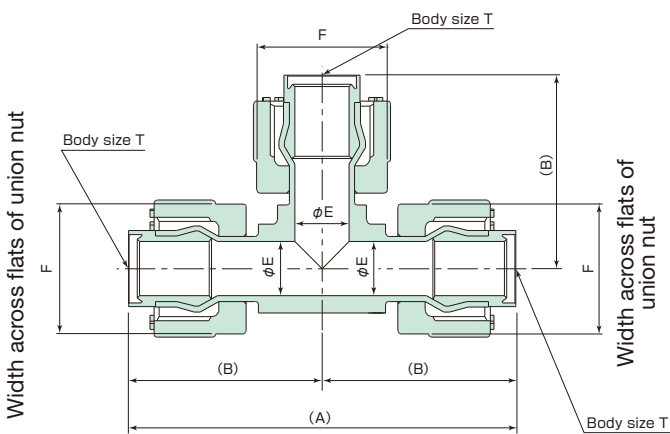
Unit: mm

Part No.	Body size T	(A)	ϕE	F	W
P - EA - T W2 BS	6 , 1/4"	29.5	3.95	16	10
P - EA - T W3 BS	10 , 3/8"	38.5	6.33	23	15
P - EA - T W4 BS	12 , 1/2"	44.5	9.5	28	18
P - EA - T 19 BS	19 , 3/4"	56.5	15.8	38	27
P - EA - T W8 BS	25 , 1"	68.5	22.2	47.5	34

Notes: 1) "Body size T" for the products shown above is specially designed for the Super 300 Type PILLAR Fitting P-series. Other type fittings cannot be connected.
 2) All sizes in the tables are reference values.
 3) "W" indicates the body width across flats.

P-TA Tee adapter Space-saving type

Fitting end adapter type



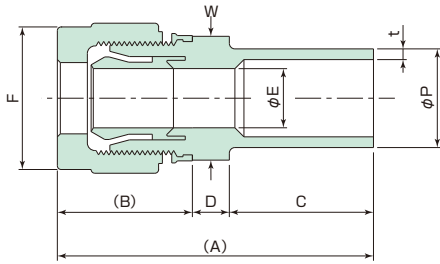
Unit: mm

Part No.	Body size T	(A)	(B)	ϕE	F	W
P - TA - T W2 BS	6 , 1/4"	59	29.5	3.95	16	10
P - TA - T W3 BS	10 , 3/8"	77	38.5	6.33	23	15
P - TA - T W4 BS	12 , 1/2"	89	44.5	9.5	28	18
P - TA - T 19 BS	19 , 3/4"	113	56.5	15.8	38	27
P - TA - T W8 BS	25 , 1"	137	68.5	22.2	47.5	34

Notes: 1) "Body size T" for the products shown above is specially designed for the Super 300 Type PILLAR Fitting P-series. Other type fittings cannot be connected.
 2) All sizes in the tables are reference values.
 3) "W" indicates the body width across flats.

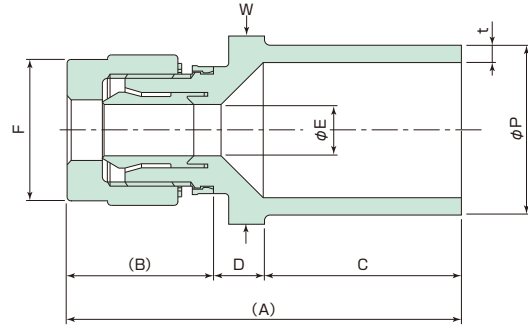
P-UA Union adapter (Pipe welding type)

Width across flats of union nut



Type a

Width across flats of union nut



Type b

Unit: mm

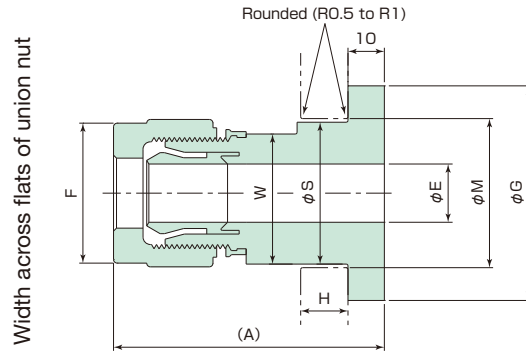
Part No.	Type	Tube size T	(A)	(B)	C	D	φ E	F	φ P	t	W
mm-based tube type											
P - UA 6 - PB 1/4 B	a	6 × 4	40	19	14	7	4	16	13.7	2.2	15
P - UA 6 - PB 3/4 SB	a	"	68	"	39	10	"	"	26.7	2.9	33.5
P - UA 8 - PB 1/2 SB	a	8 × 6	68	22	39	7	6	19	21.3	2.8	24
P - UA 8 - PB 3/4 SB	a	"	"	"	"	"	"	"	26.7	2.9	30
P - UA 10 - PB 1/4 SB	a	10 × 8	46	25	14	7	8	23	13.7	2.2	21
P - UA 10 - PB 1/2 B	a	"	71	"	39	"	"	"	21.3	2.8	25
P - UA 10 - PB 3/4 B	a	"	74	"	"	10	"	"	26.7	2.9	33.5
P - UA 12 - PB 1/2 B	a	12 × 10	75	29	39	7	10	28	21.3	2.8	25
P - UA 12 - PB 3/4 B	a	"	78	"	"	10	"	"	26.7	2.9	33.5
P - UA 12 - PB 1 B	b	"	"	"	"	"	"	"	33.4	3.4	37
P - UA 19 - PB 1/2 B	a	19 × 15.8	85	36	39	10	16	38	21.3	2.8	33.5
P - UA 19 - PB 3/4 B	a	"	"	"	"	"	"	"	26.7	2.9	"
P - UA 19 - PB 1 B	a	"	90	"	"	15	"	"	33.4	3.4	43
P - UA 25 - PB 3/4 B	a	25 × 22	97	43	39	15	22	47.5	26.7	2.9	43
P - UA 25 - PB 1 B	a	"	"	"	"	"	"	"	33.4	3.4	"

Unit: mm

Part No.	Type	Tube size T	(A)	(B)	C	D	φ E	F	φ P	t	W
Inch-based tube type											
P - UA W2 - PB 1/4 B	a	1/4" × 5/32"	40	19	14	7	4	16	13.7	2.2	15
P - UA W2 - PB 3/4 SB	a	"	68	"	39	10	"	"	26.7	2.9	33.5
P - UA W3 - PB 1/4 SB	a	3/8" × 1/4"	46	25	14	7	8	23	13.7	2.2	21
P - UA W3 - PB 1/2 B	a	"	71	"	39	"	"	"	21.3	2.8	25
P - UA W3 - PB 3/4 B	a	"	74	"	"	10	"	"	26.7	2.9	33.5
P - UA W4 - PB 1/2 B	a	1/2" × 3/8"	75	29	39	7	10	28	21.3	2.8	25
P - UA W4 - PB 3/4 B	a	"	78	"	"	10	"	"	26.7	2.9	33.5
P - UA W4 - PB 1 B	b	"	"	"	"	"	"	"	33.4	3.4	37
P - UA W6 - PB 1/2 B	a	3/4" × 5/8"	85	36	39	10	16	38	21.3	2.8	33.5
P - UA W6 - PB 3/4 B	a	"	"	"	"	"	"	"	26.7	2.9	"
P - UA W6 - PB 1 B	a	"	90	"	"	15	"	"	33.4	3.4	43
P - UA W8 - PB 3/4 B	a	1" × 7/8"	97	43	39	15	22	47.5	26.7	2.9	43
P - UA W8 - PB 1 B	a	"	"	"	"	"	"	"	33.4	3.4	"
P - UA W8 - PB 2 SB	a	"	"	"	"	"	"	"	60.3	3.9	65

Notes: 1) P-UA W6-PB1/2B = P-UA 19-PB1/2B
 2) P-UA W6-PB3/4B = P-UA 19-PB3/4B
 3) P-UA W6-PB1B = P-UA 19-PB1B
 4) All sizes in the tables are reference values.
 5) "W" indicates the body width across flats.

P-UF Union flange



Unit: mm

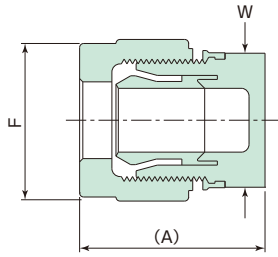
Part No.	Tube size	Flange size	(A)	φ E	φ G	φ S	F	W	Flange hole diameter φ M	Flange thickness H
mm-based tube type										
P - UF - 6A - 15A	6 × 4	10K - 15A	50	4	54	18	16	15	20	12
P - UF - 6A - 20A	''	10K - 20A	''	''	''	''	''	''	''	14
P - UF - 10B - 15A	10 × 8	10K - 15A	58	8	54	23.5	23	21	25.5	12
P - UF - 10B - 20A	''	10K - 20A	''	''	''	''	''	''	''	14
P - UF - 10B - 25A	''	10K - 25A	''	''	70	''	''	''	''	''
P - UF - 10B - 32A	''	10K - 32A	''	''	''	''	''	''	''	16
P - UF - 12B - 15A	12 × 10	10K - 15A	62	10	54	28.5	28	25	30.5	12
P - UF - 12B - 20A	''	10K - 20A	''	''	''	''	''	''	''	14
P - UF - 12B - 25A	''	10K - 25A	''	''	70	''	''	''	''	''
P - UF - 12B - 32A	''	10K - 32A	''	''	''	''	''	''	''	16
P - UF - 19B - 15A	19 × 15.8	10K - 15A	74	16	54	39	38	33.5	41	12
P - UF - 19B - 20A	''	10K - 20A	''	''	''	''	''	''	''	14
P - UF - 19B - 25A	''	10K - 25A	''	''	70	''	''	''	''	''
P - UF - 19B - 32A	''	10K - 32A	''	''	''	''	''	''	''	16
P - UF - 19A - 40A	''	10K - 40A	76	''	85	''	''	32.5	''	''
P - UF - 25A - 20A	25 × 22	10K - 20A	89	22	59	46	47.5	42.5	48	14
P - UF - 25B - 25A	''	10K - 25A	''	''	70	51	''	43	53	''
P - UF - 25B - 32A	''	10K - 32A	''	''	''	''	''	''	''	16

Unit: mm

Part No.	Tube size	Flange size	(A)	φ E	φ G	φ S	F	W	Flange hole diameter φ M	Flange thickness H
Inch-based tube type										
P - UF - W2A - 15A	1/4" × 5/32"	10K - 15A	50	4	54	18	16	15	20	12
P - UF - W2A - 20A	''	10K - 20A	''	''	''	''	''	''	''	14
P - UF - W3B - 15A	3/8" × 1/4"	10K - 15A	58	8	54	23.5	23	21	25.5	12
P - UF - W3B - 20A	''	10K - 20A	''	''	''	''	''	''	''	14
P - UF - W3B - 25A	''	10K - 25A	''	''	70	''	''	''	''	''
P - UF - W3B - 32A	''	10K - 32A	''	''	''	''	''	''	''	16
P - UF - W4B - 15A	1/2" × 3/8"	10K - 15A	62	10	54	28.5	28	25	30.5	12
P - UF - W4B - 20A	''	10K - 20A	''	''	''	''	''	''	''	14
P - UF - W4B - 25A	''	10K - 25A	''	''	70	''	''	''	''	''
P - UF - W4B - 32A	''	10K - 32A	''	''	''	''	''	''	''	16
P - UF - W6B - 15A	3/4" × 5/8"	10K - 15A	74	16	54	39	38	33.5	41	12
P - UF - W6B - 20A	''	10K - 20A	''	''	''	''	''	''	''	14
P - UF - W6B - 25A	''	10K - 25A	''	''	70	''	''	''	''	''
P - UF - W6B - 32A	''	10K - 32A	''	''	''	''	''	''	''	16
P - UF - W6A - 40A	''	10K - 40A	76	''	85	''	''	32.5	''	''
P - UF - W8A - 20A	1" × 7/8"	10K - 20A	89	22	59	46	47.5	42.5	48	14
P - UF - W8B - 25A	''	10K - 25A	''	''	70	51	''	43	53	''
P - UF - W8B - 32A	''	10K - 32A	''	''	''	''	''	''	''	16

- Notes: 1) P-UF-W6B-15A = P-UF-19B-15A
 2) P-UF-W6B-32A = P-UF-19B-32A
 3) P-UF-W6B-20A = P-UF-19B-20A
 4) P-UF-W6A-40A = P-UF-19A-40A
 5) P-UF-W6B-25A = P-UF-19B-25A
 6) P-UF-xx-15A = P-UF-xx-20A
 7) P-UF-xx-25A = P-UF-xx-32A
 8) All sizes in the tables are reference values.
 9) "W" indicates the body width across flats.
 10) JIS10K flanges are outside the scope of our manufacturing.
 11) The "Flange thickness H" column in the size table above shows customers' flange thicknesses, not fitting thicknesses.

P-CP Cap



Unit: mm

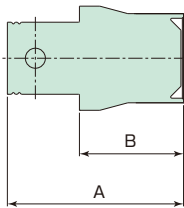
Part No.	Tube size	(A)	F	W
mm-based tube type				
* P - CP - 3B	3 × 2	22	12	12
* P - CP - 4B	4 × 3	21.5	12	12
P - CP - 6B	6 × 4	26	16	15
P - CP - 8B	8 × 6	29	19	18
P - CP - 10B	10 × 8	32	23	21
P - CP - 12B	12 × 10	36	28	25
P - CP - 19B	19 × 15.8	46	38	33.5
P - CP - 25B	25 × 22	58	47.5	43

Unit: mm

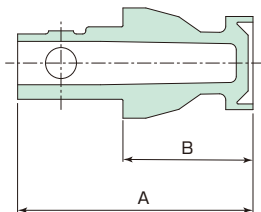
Part No.	Tube size	(A)	F	W
Inch-based tube type				
* P - CP - W1B	1/8" × 0.086"	22	12	12
P - CP - W2B	1/4" × 5/32"	26	16	15
P - CP - W3B	3/8" × 1/4"	32	23	21
P - CP - W4B	1/2" × 3/8"	36	28	25
P - CP - W6B	3/4" × 5/8"	46	38	33.5
P - CP - W8B	1" × 7/8"	58	47.5	43

- Notes: 1) P-CP-W6B = P-CP-19B
 2) All sizes in the tables are reference values.
 3) "W" indicates the body width across flats.
 4) For product numbers prefixed with *, refer to "Some small-diameter fittings" on page 4.

P-CS Cap sleeve



Type a



Type b

Unit: mm

Part No.	Type	Body size	A	B
mm-based tube type				
* P - CS - 3A	a	3 . 1/8"	11	8.5
* P - CS - 4A	a	4	13	10.5
P - CS - 6B	a	6 . 1/4"	23.5	15
P - CS - 8B	a	8	26.5	15.5
P - CS - 10B	b	10 . 3/8"	31	17
P - CS - 12B	b	12 . 1/2"	38	21
P - CS - 19B	b	19 . 3/4"	44	26
P - CS - 25A	a	25 . 1"	51.5	32

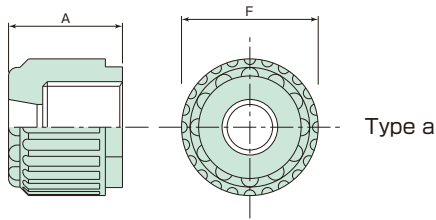
Unit: mm

Part No.	Type	Body size	A	B
Inch-based tube type				
* P - CS - W1A	a	3 . 1/8"	11	8.5
P - CS - W2B	a	6 . 1/4"	23.5	13
P - CS - W3B	b	10 . 3/8"	31	17
P - CS - W4B	b	12 . 1/2"	38	21
P - CS - W6B	b	19 . 3/4"	44	26
P - CS - W8A	a	25 . 1"	51.5	32

- Notes: 1) P-CS-W1A = P-CS-3A
 2) P-CS-W2B = P-CS-6B
 3) P-CS-W3B = P-CS-10B
 4) P-CS-W4B = P-CS-12B
 5) P-CS-W6B = P-CS-19B
 6) P-CS-W8A = P-CS-25A
 7) All sizes in the tables are reference values.
 8) For product numbers prefixed with *, refer to "Some small-diameter fittings" on page 4.
 9) The standard package contains 10 products per pack.

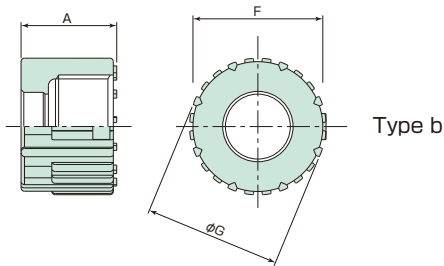
P-UN Union nut

Width across flats of union nut



Type a

Width across flats of union nut



Type b

Unit: mm

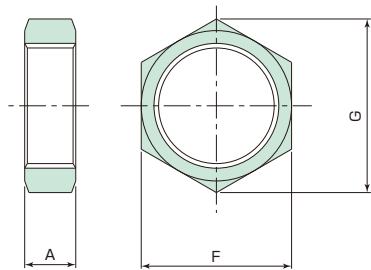
Part No.	Tube size	A	F	ϕG	Type
mm-based tube type					
* P - UN - 3B	3 × 2	10	12	12	a
* P - UN - 4B	4 × 3	10	12	12	a
P - UN - 6B	6 × 4	16	16	17	b
P - UN - 8B	8 × 6	18	19	20	b
P - UN - 10B	10 × 8	20.5	23	25	b
P - UN - 12B	12 × 10	22.7	28	30	b
P - UN - 19B	19 × 15.8	28	38	40	b
P - UN - 25B	25 × 22	32	47.5	50.5	b

Unit: mm

Part No.	Tube size	A	F	ϕG	Type
Inch-based tube type					
* P - UN - W1B	1/8" × 0.086"	10	12	12	a
P - UN - W2B	1/4" × 5/32"	16	16	17	b
P - UN - W3B	3/8" × 1/4"	20.5	23	25	b
P - UN - W4B	1/2" × 3/8"	22.7	28	30	b
P - UN - W6B	3/4" × 5/8"	28	38	40	b
P - UN - W8B	1" × 7/8"	32	47.5	50.5	b

Note: P-UN-W6B = P-UN-19B

P-HN Half nut



Unit: mm

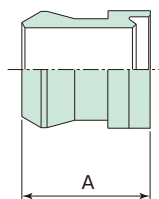
Part No.	Tube size	A	F	G
mm-based tube type				
* P - HN - 3B	3 × 2	5	14	16.2
* P - HN - 4B	4 × 3	5	14	16.2
P - HN - 6B	6 × 4	5	16	18.5
P - HN - 8B	8 × 6	7	19	21.9
P - HN - 10B	10 × 8	7	21.5	24.8
P - HN - 12B	12 × 10	9	26.5	30.6
P - HN - 19B	19 × 15.8	9	38	43.9
P - HN - 25B	25 × 22	10	45	52

Unit: mm

Part No.	Tube size	A	F	G
Inch-based tube type				
* P - HN - W1B	1/8" × 0.086"	5	14	16.2
P - HN - W2B	1/4" × 5/32"	5	16	18.5
P - HN - W3B	3/8" × 1/4"	7	21.5	24.8
P - HN - W4B	1/2" × 3/8"	9	26.5	30.6
P - HN - W6B	3/4" × 5/8"	9	38	43.9
P - HN - W8B	1" × 7/8"	10	45	52

Notes: 1) P-HN-W1B = P-HN-3B
 2) P-HN-W3B = P-HN-10B
 3) P-HN-W6B = P-HN-19B
 4) P-HN-W2B = P-HN-6B
 5) P-HN-W4B = P-HN-12B
 6) P-HN-W8B = P-HN-25B

P-S Sleeve



Unit: mm

Part No.	Tube size	A
mm-based tube type		
* P - S - 3B	3 × 2	7.2
* P - S - 4B	4 × 3	9.3
P - S - 6B	6 × 4	12.5
P - S - 8B	8 × 6	14
P - S - 10B	10 × 8	15.8
P - S - 12B	12 × 10	20.2
P - S - 19B	19 × 15.8	24.3
P - S - 25B	25 × 22	31

Unit: mm

Part No.	Tube size	A
Inch-based tube type		
* P - S - W1B	1/8" × 0.086"	7.1
P - S - W2B	1/4" × 5/32"	12.4
P - S - W3B	3/8" × 1/4"	15.7
P - S - W4B	1/2" × 3/8"	20
P - S - W6B	3/4" × 5/8"	24.3
P - S - W8B	1" × 7/8"	31

Notes: 1) P-S-W6B = P-S-19B
 2) P-S-W8B = P-S-25B

Notes: 1) All sizes in the tables are reference values.
 2) For product numbers prefixed with *, refer to "Some small-diameter fittings" on page 4.
 3) The standard package contains 10 products per pack.

Super 300 Type for 1-1/4" and 1-1/2" diameter tubes

■ Specifications

Maximum operating temperature

200°C

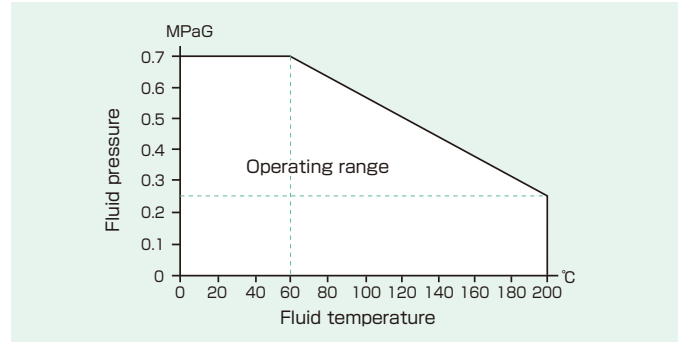
Maximum operating pressure

0.7 MPaG

Applicable fluid

Liquid

Note: For the relationship between the operating temperature and operating pressure, refer to the figure on the right.



■ Applicable tube sizes

Unit: mm

	O.D.×I.D.	Thickness	Tolerance	
			O.D.	Thickness
For 1-1/4"	31.8×28.0 (1-1/4"×1-1/10")	1.9	±0.25	±0.15
For 1-1/2"	38.1×33.7 (1-1/2"×1-21/64")	2.2		

■ Applicable tube material

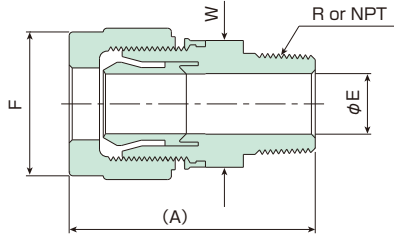
PFA

■ Sleeve insertion and assembly of fitting

- ① Slide a union nut onto the tube.
- ② Before inserting a sleeve into the tube, temporarily subject the tube to a flare (to expand the diameter of the tube). Then, insert the sleeve into the tube.
- ③ Incorporate the inserted sleeve into the fitting body and tighten the union nut until it comes into contact with the protrusion on the gauge ring.
For details on how to use the dedicated insertion tool, refer to the latest edition of the Instruction Manual (No. 205-1).

P-MC Male connector

Width across flats of union nut

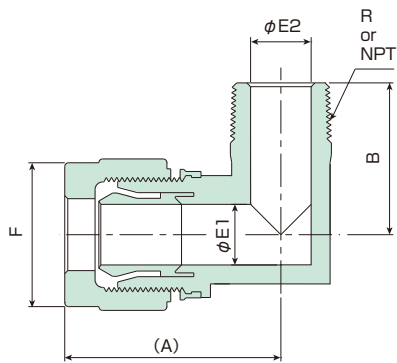


Unit: mm

	Part No.	Tube size	Thread size	(A)	ϕE	F	W
For 1-1/4"	P - MC W10 - N 6A	31.8 × 28.0	NPT 3/4	101	16	62	56
	P - MC W10 - N 8A	//	NPT 1	105	22.2	62	56
	P - MC W10 - N10A	//	NPT 1-1/4	108.5	28	62	56
	P - MC W10 - N12A	//	NPT 1-1/2	108.5	28	62	56
For 1-1/2"	P - MC W12 - N 6A	38.1 × 33.7	NPT 3/4	107	16	69	62
	P - MC W12 - N 8A	//	NPT 1	111	22.2	69	62
	P - MC W12 - N10A	//	NPT 1-1/4	114.5	28	69	62
	P - MC W12 - N12A	//	NPT 1-1/2	114.5	33.7	69	62

P-ME Male elbow

Width across flats of union nut



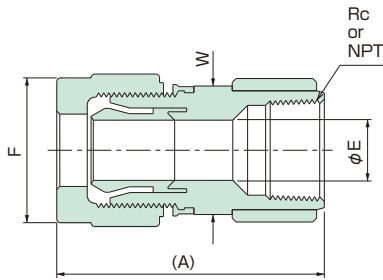
Unit: mm

	Part No.	Tube size	Thread size	(A)	B	$\phi E1$	$\phi E2$	F	W
For 1-1/4"	P - ME W10 - N 6A	31.8 × 28.0	NPT 3/4	76	49.7	28	16	62	56
	P - ME W10 - N 8A	//	NPT 1	79.5	52.5	28	22.2	62	56
	P - ME W10 - N10A	//	NPT 1-1/4	84	56.5	28	28	62	56
	P - ME W10 - N12A	//	NPT 1-1/2	87	56.5	28	28	62	56
For 1-1/2"	P - ME W12 - N 6A	38.1 × 33.7	NPT 3/4	76	53.2	33.7	16	69	62
	P - ME W12 - N 8A	//	NPT 1	79.5	56	33.7	22.2	69	62
	P - ME W12 - N10A	//	NPT 1-1/4	84	60	33.7	28	69	62
	P - ME W12 - N12A	//	NPT 1-1/2	87	60	33.7	33.7	69	62

Notes: 1) We can also manufacture products other than those shown above. Please contact us for more information.
 2) All sizes in the tables are reference values.
 3) "W" indicates the body width across flats.

P-FC Female connector

Width across flats of union nut

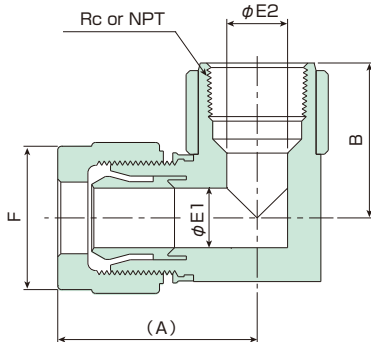


Unit: mm

	Part No.	Tube size	Thread size	(A)	ϕ E	F	W
For 1-1/4"	P - FC W10 - N 6A	31.8 × 28.0	NPT 3/4	106	23.4	62	56
	P - FC W10 - N 8A	//	NPT 1	108	28	62	56
	P - FC W10 - N10A	//	NPT 1-1/4	110	28	62	56
	P - FC W10 - N12A	//	NPT 1-1/2	116	28	62	62
For 1-1/2"	P - FC W12 - N 6A	38.1 × 33.7	NPT 3/4	112	23.4	69	62
	P - FC W12 - N 8A	//	NPT 1	114	29.2	69	62
	P - FC W12 - N10A	//	NPT 1-1/4	116	33.7	69	62
	P - FC W12 - N12A	//	NPT 1-1/2	116	33.7	69	62

P-FE Female elbow

Width across flats of union nut



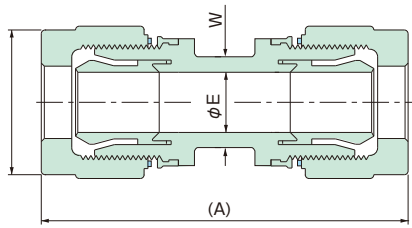
Unit: mm

	Part No.	Tube size	Thread size	(A)	B	ϕ E1	ϕ E2	F	W
For 1-1/4"	P - FE W10 - N 6A	31.8 × 28.0	NPT 3/4	79	52	28	23.4	62	56
	P - FE W10 - N 8A	//	NPT 1	84	54	28	29.2	62	56
	P - FE W10 - N10A	//	NPT 1-1/4	90	56	28	35.9	62	56
	P - FE W10 - N12A	//	NPT 1-1/2	93	56	28	42.1	62	62
For 1-1/2"	P - FE W12 - N 6A	38.1 × 33.7	NPT 3/4	79	55	33.7	23.4	69	62
	P - FE W12 - N 8A	//	NPT 1	84	57	33.7	29.2	69	62
	P - FE W12 - N10A	//	NPT 1-1/4	90	59	33.7	35.9	69	62
	P - FE W12 - N12A	//	NPT 1-1/2	93	59	33.7	42.1	69	62

Notes: 1) We can also manufacture products other than those shown above. Please contact us for more information.
 2) All sizes in the tables are reference values.
 3) "W" indicates the body width across flats.

P-U Union

Width across flats of union nut

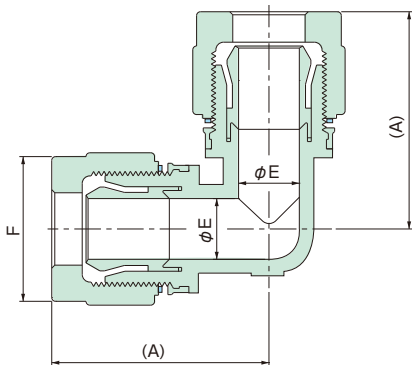


Unit: mm

	Part No.	Tube size	(A)	ϕE	F	W
For 1-1/4"	P - U - W10B	31.8 × 28.0	154	28	62	40
For 1-1/2"	P - U - W12B	38.1 × 33.7	168	33.7	69	48

P-UE Union elbow

Width across flats of union nut

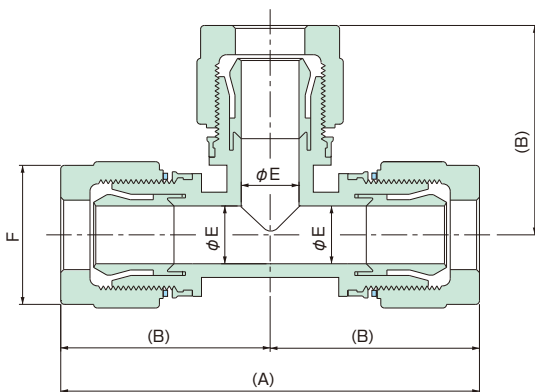


Unit: mm

	Part No.	Tube size	(A)	ϕE	F	W
For 1-1/4"	P - UE - W10B	31.8 × 28.0	99	28	62	41
For 1-1/2"	P - UE - W12B	38.1 × 33.7	106	33.7	69	48.7

P-UT Union tee

Width across flats of union nut



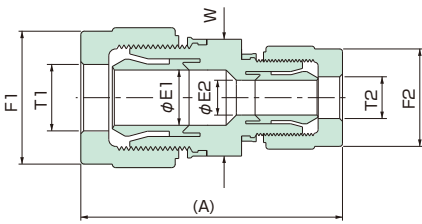
Unit: mm

	Part No.	Tube size	(A)	(B)	ϕE	F	W
For 1-1/4"	P - UT - W10B	31.8 × 28.0	198	99	28	62	41
For 1-1/2"	P - UT - W12B	38.1 × 33.7	212	106	33.7	69	48.7

Notes: 1) We can also manufacture products other than those shown above. Please contact us for more information.
 2) All sizes in the tables are reference values.
 3) "W" indicates the body width across flats.

P-RU Reducing union

Width across flats of union nut



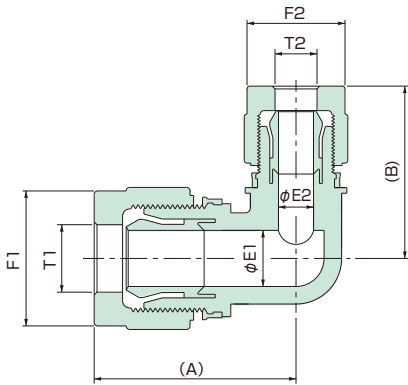
Unit: mm

	Part No.	Tube size T ₁	Tube size T ₂	(A)	φ E1	φ E2	F1	F2	W
For 1-1/4"	P-RUW10-W8B	31.8×28.0	1"×7/8"	133	28	22	62	47.5	40
For 1-1/2"	P-RUW12-W8A	38.1×33.7	1"×7/8"	131	33.7	22	69	47.5	62
For 1-1/2"	P-RUW12-W10A	38.1×33.7	31.8×28.0	150	33.7	28	69	62	62

P-RUE Reducing union elbow

Width across flats of union nut

Width across flats of union nut



Unit: mm

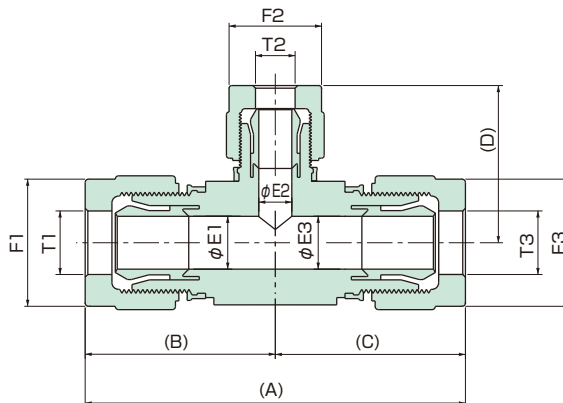
	Part No.	Tube size T ₁	Tube size T ₂	(A)	(B)	φ E1	φ E2	F1	F2	W
For 1-1/4"	P-RUEW10-W6A	31.8×28	3/4"×5/8"	78.8	64	28	16	62	38	56
For 1-1/4"	P-RUEW10-W8B	31.8×28	1"×7/8"	98.9	79.9	28	22	62	47.5	41
For 1-1/2"	P-RUEW12-W8A	38.1×33.7	1"×7/8"	83.5	74	33.7	22	69	47.5	62
For 1-1/2"	P-RUEW12-W10A	38.1×33.7	31.8×28	90	93	33.7	28	69	62	62

P-RUT Reducing union tee

Width across flats of union nut

Width across flats of union nut

Width across flats of union nut

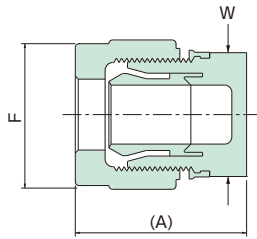


Unit: mm

	Part No.	Tube size T ₁	Tube size T ₂	Tube size T ₃	(A)	(B)	(C)	(D)	φ E1	φ E2	φ E3	F1	F2	F3	W
For 1-1/4"	P-RUTW10-W6-W10B	31.8×28.0	3/4"×5/8"	31.8×28.0	197.8	98.9	98.9	72.4	28	16	28	62	38	62	41
For 1-1/4"	P-RUTW10-W8-W10B	31.8×28.0	1"×7/8"	31.8×28.0	197.8	98.9	98.9	79.9	28	22	28	62	47.5	62	41
For 1-1/2"	P-RUTW12-W10-W12A	38.1×33.7	31.8×28.0	38.1×33.7	180	90	90	93	33.7	28	33.7	69	62	69	62

Notes: 1) We can also manufacture products other than those shown above. Please contact us for more information.
 2) All sizes in the tables are reference values.
 3) "W" indicates the body width across flats.

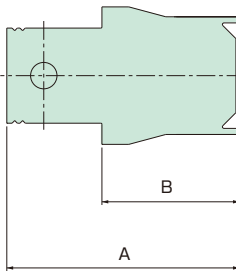
P-CP Cap



Unit: mm

	Part No.	Tube size	A	F	W
For 1-1/4"	P - CP - W10A	31.8 × 28.0	82	62	56
For 1-1/2"	P - CP - W12A	38.1 × 33.7	88	69	62

P-CS Cap sleeve

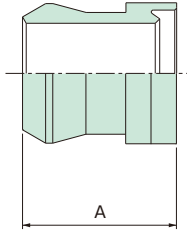


Unit: mm

	Part No.	Body size	A	B
For 1-1/4"	P - CS - W10A	1-1/4"	59	39
For 1-1/2"	P - CS - W12A	1-1/2"	64	44

Notes: 1) All sizes in the tables are reference values.
2) "W" indicates the body width across flats.

P-S Sleeve

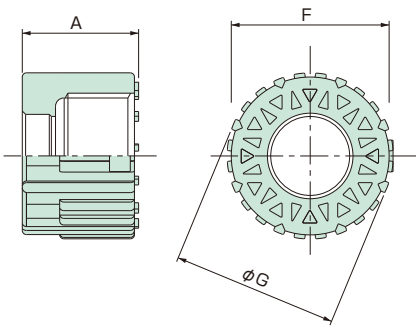


Unit: mm

	Part No.	Tube size	A
For 1-1/4"	P - S - W10B	31.8 × 28.0	38.5
For 1-1/2"	P - S - W12B	38.1 × 33.7	42.5

P-UN Union nut

Width across flats of union nut

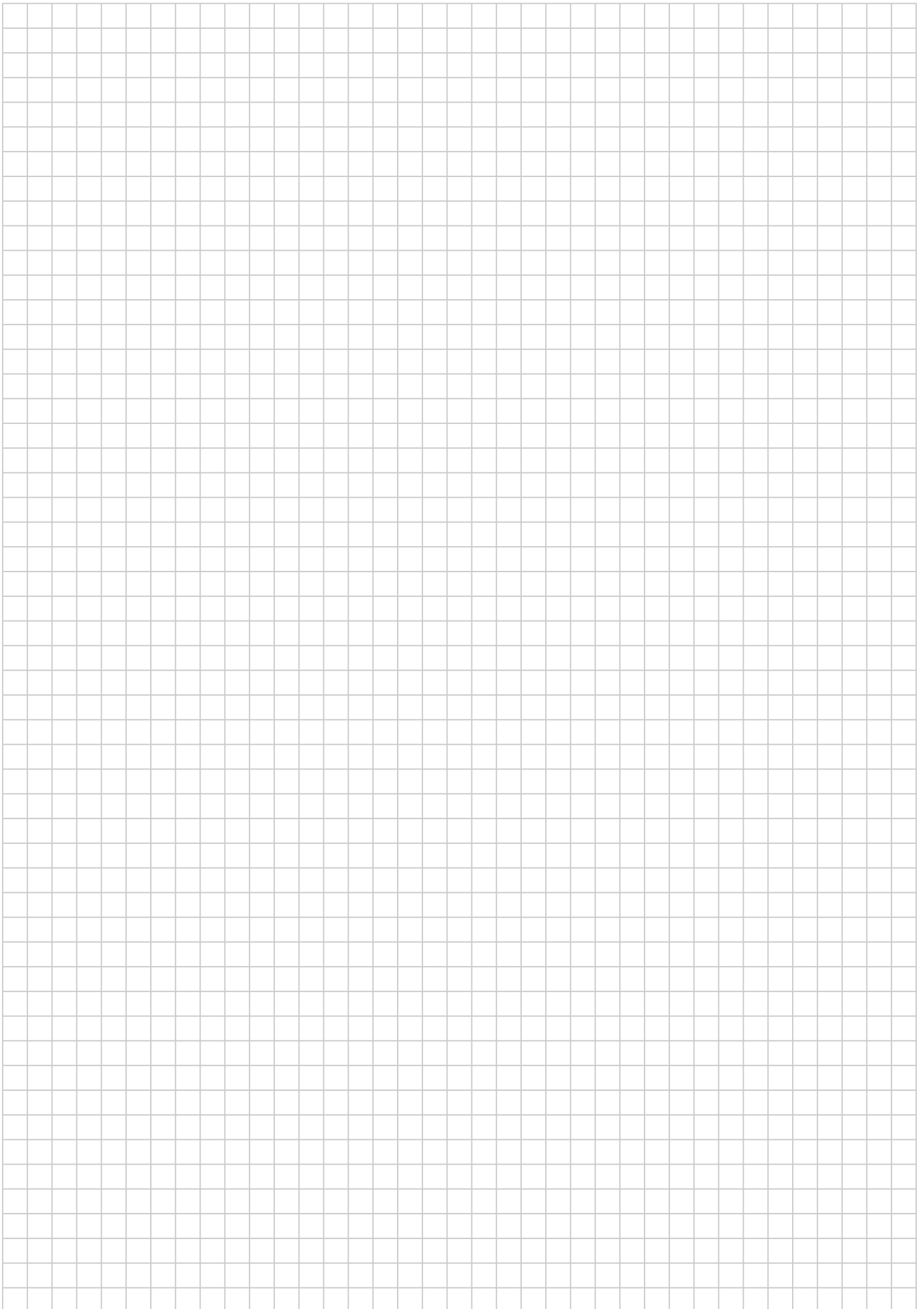


Unit: mm

	Part No.	Tube size	A	F	φ G
For 1-1/4"	P - UN - W10B	31.8 × 28.0	50	62	66
For 1-1/2"	P - UN - W12B	38.1 × 33.7	50	69	73

Note: All sizes in the tables are reference values.

MEMO





PILLAR PILLAR Corporation
CLEAN SAFETY FRONTIER

Head office/Sales Headquarters
7-1, Shinmachi 1-chome, Nishi-ku, Osaka 550-0013, Japan
Phone: +81-6-7166-8326 Fax: +81-6-7166-8514

Email : sales@pillar.co.jp

<https://www3.pillar.co.jp/en/product/>



**Safety
precaution**

● When using this product, please use correctly and pay sufficient attention to safety.

* Please understand that this catalog may change without prior notice.
* The values shown on this catalog are reference values, not guaranteed values.